



BID DOCUMENTS

ASPHALT MULTI-USE PATH INSTALLATION  
CART PATH PAVING

CONTRACT 5-2025  
FEBRUARY 2025

**City of Morden**  
**Engineering and Planning**  
Office: 133 7<sup>th</sup> Street, MB  
Mailing: 100-195 Stephen Street,  
Morden, MB,

ASPHALT MULTI-USE PATH INSTALLATION. CART PATH PAVING  
CONTRACT 5-2025  
INDEX

---

SECTION 1: Invitation to submit Bids

SECTION 2: Instructions to bidders

SECTION 3: Agreement

SECTION 4: Bid Form

SECTION 5: General Conditions

SECTION 6: Supplementary conditions

SECTION 7: Specifications

SECTION 8: Drawings

ASPHALT MULTI-USE PATH INSTALLATION. CART PATH PAVING  
CONTRACT 5-2025

**SECTION 1. INVITATION TO SUBMIT BIDS**

---

- 1. PROJECT DESCRIPTION .....2
- 2. PROJECT LOCATION .....2
- 3. DELIVERY AND OPENING OF BIDS .....2
- 4. ENQUIRIES AND ADDENDA.....3

**1. PROJECT DESCRIPTION**

- 1.1. The Work to be done under this Contract consists of base preparation, asphalt pavement installation, and associated works, in accordance with the Contract Documents.

**2. PROJECT LOCATION**

- 2.1. The area of work Parkhill Dr west of Geneva Dr, Falcon Dr, and Buhler Dr in Morden.

**3. DELIVERY AND OPENING OF BIDS**

- 3.1. The date and time of Bid Closing are 3p.m. local time on **March 4<sup>th</sup>, 2025**. The City will receive bids at the City Office:

100-195 Stephen Street  
Morden, MB  
R6M 1V3

- 3.2. The submission must be contained in a sealed envelope or package labeled as follows:

City of Morden  
ASPHALT MULTI-USE PATH INSTALLATION. CART PATH PAVING  
Bidder's Name/Entity  
Bidder's Contact Information

- 3.3. Bid package must include:

- Bid Form (Section 4);
- Signed Agreement (Section 3);
- Bid security as per Section 2.10 (Instructions to Bidders);
- All requested specifications.

- 3.4. The City reserves the right to reject an incomplete Bid.

- 3.5. Bids submitted after the above time will be returned to the Bidder unopened.

- 3.6. Bids will be open in public on March 4<sup>th</sup>, 2025 at 3:00p.m. at the following address:

Civic Center Boardroom  
100-195 Stephen Street  
Morden, MB

The bid results will be posted on the City's website.

- 3.7. The City will not accept electronic submission.

- 3.8. The City will not consider oral submissions, or any other form of submission not identified herein, for acceptance.

- 3.9. The City will accept amendments to a Bid submission providing that such amendment is submitted as prescribed herein, signed by the person(s) who signed the original submission, and

that it arrives prior to Bid Closing in a sealed envelope labeled with the details described above. Such amendments must be in accordance with the Bid Documents.

- 3.10. Bids will be analyzed by the City after which any part or all parts of the Contract may or may not be awarded, to one or more Bidders subject to the discretion of the City.
- 3.11. The City reserves the right to accept or reject any or all offers, and to request any clarifications necessary to adjudicate the submissions.
- 3.12. Bidder may withdraw an unopened bid submission until Bid Closing either in person or by phone. After Bid Closing, Bids may not be withdrawn.
- 3.13. Upon opening Bid Submissions, the City may announce the Total Bid price for submissions at the City's discretion but will not announce or disclose unit prices in any way.

#### 4. ENQUIRIES AND ADDENDA

- 4.1. For any enquiries relating to the Bid please contact:  
Tatiana Sinchenko  
Engineering Assistant  
204-822-4434 ext.1105  
[tsinchenko@mymorden.ca](mailto:tsinchenko@mymorden.ca)

OR

Santokh Singh Randhawa, M. Eng., P. Eng.  
Deputy City Manager  
Phone:(204) 822-2567  
[srandhawa@mymorden.ca](mailto:srandhawa@mymorden.ca)

- 4.2. Clarifications, interpretations, and explanations may be made in the form of Addenda. The City may issue addenda during the Bid period and will distribute such Addenda to all persons known by the City to have obtained a set of the Bid Documents. All such Addenda shall become part of the Bid Documents. The City encourages you to register your interest by providing email and contact information.
- 4.3. No oral clarifications, interpretations, or explanations by any person whatsoever shall bind the City in the interpretation of the Bid Documents.
- 4.4. The City will consider any requests for extension to Bid Closing but reserves the right to do so at its own discretion.

END OF SECTION

---

ASPHALT MULTI-USE PATH INSTALLATION. CART PATH PAVING  
CONTRACT 5-2025  
SECTION 2. INSTRUCTIONS TO BIDDERS

---

1. BID DOCUMENTS AND SUBMISSION OF BIDS .....	2
2. SITE MEETING .....	2
3. OMISSIONS OR DISCREPANCIES .....	2
4. BID MODIFICATION.....	3
5. BID WITHDRAWAL .....	3
6. LUMP SUM FOR OTHER REQUIREMENTS .....	3
7. CURRENCY .....	4
8. AGREEMENT BETWEEN THE CITY AND THE BIDDER.....	4
9. BID VALIDITY .....	4
10. INFORMATION REQUESTS .....	4
11. BID SECURITY .....	4
12. PERFORMANCE SECURITY .....	4
13. HOLDBACK .....	4
14. SPECIFIC RETENTION .....	5
15. ALTERNATE PRICES .....	5
16. GOODS AND SERVICE TAX .....	5
17. MANITOBA RETAIL SALES TAX .....	5
18. COMPLETION DATE .....	5
19. MATERIAL AND EQUIPMENT SUPPLIERS .....	5
20. SUBCONTRACTORS .....	6
21. ACCEPTANCE AND EVALUATION OF BIDS.....	6
22. SUBDIVISION OF WORK .....	7
23. SITE CONDITIONS AND INFORMATION DOCUMENTS .....	7
24. HEALTH AND SAFETY .....	7
25. BIDDING ON ALTERNATIVES .....	8
26. SOIL INFORMATION .....	9
27. TRAFFIC MANAGEMENT PLAN.....	9
28. WAIVER.....	9

**1. BID DOCUMENTS AND SUBMISSION OF BIDS**

1.1 Bid Documents shall be available as follows:

- 100-195 Stephen St, Morden, MB;
- City website;
- By contacting as indicated in Section 1.
- MERx

1.2 Bid shall be made on the Bid Form provided and shall be submitted in a sealed envelope clearly marked as indicated in **Section 1**.

1.3 The Bid Documents shall consist of the following:

- Instructions to Bidders;
- Bid Form;
- Addenda (if any);
- Agreement;
- Definitions;
- General Conditions
- Supplementary Conditions;
- Standard Specifications;
- Drawings as listed;
- Schedules (if any)

1.4 All requirements that use word “shall” or “must” are mandatory and the Bidder’s Bid must substantially comply or fulfill such requirements, or it shall be as non-compliant; all requirements that use the term “should” are desired and the Bidder’s response to such requirements shall be considered in analyzing the Bid.

1.5 The City shall not be responsible for lost or misplaced Bids, or amendments to Bids, if the Bidder hasn’t placed it at the City Office.

1.6 All Bids should be signed and sealed in the case of a corporation and in the case of an individual, partnership or non-incorporated organization should be signed and witnessed.

**2. SITE MEETING**

Site meeting may be arranged upon request.

**3. OMISSIONS OR DISCREPANCIES**

Should the Bidder find discrepancies in, or omissions from, the Bid Documents, or be in doubt as to their meaning, it should at once notify the City, who may send an Addendum to all Bidders.

No oral interpretation made by the City to any Bidder as to the meaning of any part of the Bid Documents shall be binding upon the City, or be effective to modify any of the provisions of the Bid

Documents. Words and abbreviations used in the Bid Documents which have well known technical or trade meanings, or are defined in the Bid Documents, shall be interpreted in accordance with such meanings or definitions. Every request for an interpretation shall be made in writing and promptly directed to the City's representative.

#### **4. BID MODIFICATION**

- 4.1 A Bid submitted in accordance with these Instructions to Bidders may be modified provided the modification:
  - 4.1.1 is in the form of a letter and all pages of such letter are received at the address specified in Clause 1 prior to the Bid Closing Time;
  - 4.1.2 states the name of the Bidder and the nature of the modification; and
  - 4.1.3 is signed by the Bidder's authorized representative.
- 4.2 Where a modification is directing a change in the Bid Price, the modification shall not reveal the original Bid Price nor the revised Bid Price:
  - 4.2.1 on lump sum Bids, only the amount to be added to or deducted from the original Bid Price shall be stated;
  - 4.2.2 when unit prices are used, only the amount to be added to or deducted from each original unit price shall be stated;
  - 4.2.3 the City shall not accept responsibility for the content of modifications or modifications that are, for any reason, delayed, illegible or otherwise improperly received. The City may, in its discretion, disregard modifications that are improperly received.

#### **5. BID WITHDRAWAL**

- 5.1 Any Bidder may withdraw its Bid either personally or by written request prior to the Bid Closing Time.
- 5.2 The withdrawal of a Bid shall not prejudice the right of such Bidder to submit a new Bid. If a Bid is withdrawn after the Bid Closing Time, the accompanying Bid Security (where required) is subject to forfeiture in like manner as in the failure to execute an Agreement after award as provided herein.

#### **6. LUMP SUM FOR OTHER REQUIREMENTS**

- 6.1 Under this item of the Bid Price Form, the Bidder shall enter his bid price for providing items such as watchmen, permits and approvals (other than those to be paid by the City), items required by the Drawings or Specifications but which have been omitted from the Schedule and other items required by the Contract but not specifically covered by or related to the other items in the Schedule.
- 6.2 Each Progress Payment Certificate will include a percentage of the contract price for this item in proportion to the percentage of the permanent works completed. The submission by a Bidder of an unbalanced price for this item renders the Bid liable to disqualification.



## 7. CURRENCY

All dollar amounts stated in the Bid Documents are in Canadian dollars unless otherwise indicated. The City reserves the right to reject conditional prices, or prices subject to rise and fall for any reason.

## 8. AGREEMENT BETWEEN THE CITY AND THE BIDDER

- 8.1 The Bidder agrees that the City's sole obligation is to give consideration to the Bid in accordance with the Bid Documents. In return, the Bidder has prepared and submitted its Bid, and agrees:
- 8.1.1 to enter into a contract in the form provided in Section 2 with the City in accordance with the Bid Documents, if the City issues a notice of acceptance, within sixty (60) days of the Bid Closing Time (or such longer period as is agreed between the parties) (the "Bid Period"); and
  - 8.1.2 that the Bid is irrevocable, valid and shall remain open for acceptance for the Bid Period.

## 9. BID VALIDITY

Bids will be irrevocable and shall remain valid for 60 days from the closing date.

## 10. INFORMATION REQUESTS

The Bidder shall comply with any reasonable requests for information made by the City, including information about the Bidder and its Subcontractors and Suppliers.

## 11. BID SECURITY

***Bid security in the form of a bid bond or certified cheque, irrevocable letter of credit in the name of City of Morden for an amount of 10% of the bid price is required to be submitted with the bid. The bid security will be released once the City enters into an agreement with the successful bidder.***

## 12. PERFORMANCE SECURITY

***Performance Security in the form of a performance Bond or letter of Credit or a Certified Cheque in the amount of 25% of the Bid amount shall be required to be submitted at the time of signing of the agreement. The performance Security will be released 40 days after the successful completion of the work.***

## 13. HOLDBACK

The City will deduct 7.5% from payments to be made under this contract and retain this amount for a period of 40 days after the date of issuance of Certificate of Substantial Completion. The bidder shall need to submit a declaration that all subcontractors and suppliers have been paid with the application for holdback release.

**14. SPECIFIC RETENTION**

The City reserves the right to retain the funds specifically for the correction or completion of deficient work or incomplete elements of the project (separate and apart from the holdback). The amount of Specific Retention will be determined based on the Substantial Completion inspection and indicated in Certificate of Substantial Completion. Specific retention amounts will be released once incomplete or deficient work is corrected to meet City's acceptance.

**15. ALTERNATE PRICES**

Where called for, the Bidder must submit prices for all alternates shown in the places provided in the Bid Form.

**16. GOODS AND SERVICE TAX**

It shall be assumed, unless otherwise stated, that the Bid Price does not include federal Goods and Services Tax (GST). The appropriate GST levy shall be paid to the successful Bidder in addition to the amount approved by the City for Work performed under the Contract and, therefore, shall not affect the Bid Price.

**17. MANITOBA RETAIL SALES TAX**

The Bid Price will include all Applicable Retail Sales Tax. The Bidder shall include Retail Sales Tax in the prices that they may be required to pay on materials and equipment to be utilized or expended in the construction of the works.

The City will not consider any claim by the Contractor or any subcontractor for reimbursement of Retail Sales Tax paid.

**18. COMPLETION DATE**

The work must be started after July 1st<sup>th</sup>, 2025, and completed on or before August 31<sup>th</sup>, 2025. The work must be completed within 30 Calendar days from the date of start of the work. The successful bidder must provide a formal work schedule to City within 15 days of the award of the work.

**19. MATERIAL AND EQUIPMENT SUPPLIERS**

- 19.1 The Contractor must provide all materials required for the completion of the works unless otherwise indicated in the Bid Documents. The details for all materials are shown on the plans and in Clause 19 of Section 4.
- 19.2 The Bidder must state, if requested in the Bid Form, the names of the material and equipment Suppliers it intends to use for the Work together with the trade or brand names of the material and equipment to be supplied.
- 19.3 The Contractor shall be responsible for the provision of all the equipment, plant, tools, and labour required to complete the works to the fulfillment of the terms of the Contract Documents. The cost for this shall be deemed to be included in the Contract Price.

## 20. SUBCONTRACTORS

The Bidder must state, as requested in the Bid Form, the names of the Subcontractors and Suppliers it intends to use on the Work and the portion of the Work on which each Subcontractor is intended to be used.

## 21. ACCEPTANCE AND EVALUATION OF BIDS

- 21.1 The City, at its own discretion, reserves the right to:
- Accept any Bid;
  - Reject any Bid;
  - Accept a Bid which is not the lowest Bid;
  - Reject a Bid even if it is the only Bid received by the City;
  - Accept all or any part of a Bid.
- 21.2 The City reserves the right to request clarifying information of any form, at the City's discretion, to facilitate the adjudication of bids. Failure to provide requested information will factor into the City's adjudication process.
- 21.3 The City reserves the right to reject any Bid containing errors, omissions, erasures, items not part of the Bid form, or any obviously unbalanced Bid.
- 21.4 The City may disqualify or reject Bids containing non-qualifying conditions or otherwise failing to comply with the Bid Documents. The City reserves its right to reject or retain for its consideration non-qualifying Bid submissions.
- 21.5 The City requires a Bidder to submit qualifications and experience to prove that the Bidder is capable of completing the Works in Section 4. Bid Form.
- 21.6 The City may choose to disqualify any Bidder who it deems as inexperienced, or for any other reason may not be capable of completing the works. The City may require a Bidder to provide security in addition to that specified herein at the City's discretion before approving the award of Contract to a Bidder.
- 21.7 The City will notify the successful Bidder or Bidders in writing that its Bid has been accepted.
- 21.8 The City may consider the following criteria to determine the successful bidder:
- the qualifications of the Bidder;
  - Bid Prices;
  - Completion Time;
  - the City's relationship and experience with any Bidder;
  - the use of equivalents/alternates;
  - the quality and responsiveness of the Bid, including, without limitation, all requested information;
  - quality of previous work done for the City;
  - quality of previous work done by subcontractors.
- 21.9 The City may reject any subcontractors on the same basis as the criteria listed in 1.7. The City may permit a Bidder to procure a different subcontractor, but such a change would not be considered as affecting the Bid submission in any other way.

**22. SUBDIVISION OF WORK**

- 22.1 Subject to the rights of the City and according to the Contract Documents the Contractor shall be solely responsible for and shall supervise and direct the works. The Contractor shall determine the means, methods, techniques, sequences, and procedures of construction, except where the Contract Documents, in order to define the quality of a particular item of work, specify means, method, technique, sequence, or procedure for construction of that item of the work.
- 22.2 The successful Bidder shall be responsible for the administration of the Work and the subdivision of the Work to Subcontractors. All disputes as to the scope of the Work to be carried out by Subcontractors shall be resolved by the successful Bidder so that all Work is carried out in accordance with the Bid Documents. No claims for extras shall be allowed on the basis that Subcontractors did not include the same in their scope of Work due to any subdivisions of Work expressed or implied in the Bid Documents.
- 22.3 Where there is overlap between Contractors, the City will coordinate schedules, testing and all matters related to the interactions between overlapping Works.

**23. SITE CONDITIONS AND INFORMATION DOCUMENTS**

- 23.1 The Information Documents are furnished merely for the general reference and convenience of each Bidder and do not form part of the Bid Documents. The Information Documents are not in any way represented, warranted or guaranteed to be accurate or complete by the City. Each Bidder acknowledges and agrees that the City does not owe any duty of care to it concerning the accuracy or completeness of the Information Documents.
- 23.2 The Bidder is responsible for examining the work site before submitting a Bid. The Bidder is responsible for familiarizing itself with and allowing for all site conditions including the project locations, local conditions, access locations and limitations, topographical conditions, presence of obstructions, working widths, and all other site conditions which may affect the Work.
- 23.3 The Bid is deemed to include the cost of working in these conditions and the City will not consider additional payment or time extensions due to site conditions which were or would have been reasonably foreseeable given a proper inspection of the site by the Bidder.
- 23.4 Should a Bidder wish to make exploratory excavations or investigations at the site, it shall make arrangements with the City. The City, at its own discretion, may set conditions or limitations on such excavations or investigations and may refuse to permit them.

**24. HEALTH AND SAFETY**

- 24.1 The Contractor shall be deemed to be a “prime contractor” under the Regulations of the Workplace Safety and Health Act.
- 24.2 The Contractor is responsible for ensuring that all activities under its control, for the duration of the works, are conducted in compliance with the Province of Manitoba’s Workplace Safety and Health Act including all relevant Regulations.

- 24.3 The Contractor alone shall always be responsible for the safety of its employees, its subcontractors' employees and other persons and equipment lawfully on the work site. The Contractor shall be responsible for maintaining the Work Site as a safe place to work and perform the work in a manner which meets all applicable requirements and standards for the Work Site.
- 24.4 The Contractor shall obtain and maintain Workers Compensation Insurance as required by the Workers Compensation Act. The Contractor shall be registered and be in good standing with the Workers Compensation Board. The Contractor acknowledges that the City may query the Contractor's standing with the Workers Compensation Board at the City's discretion, and the City reserves the right to reject a Bid submission on the basis of the Contractor's standing with the Workers Compensation Board.
- 24.5 The Contractor shall provide a copy of their comprehensive general liability insurance subject to limits of not less than two million dollars (\$2,000,000) with City of Morden and its officers named as insured under this policy. General liability insurance shall remain in effect continuously until the Construction Completion Certificate has been issued.
- 24.6 The Contractor will, at all times during the construction process, take every precaution to ensure the safety of vehicular, bicycle, and pedestrian traffic, and of any other contractor, sub-contractor, visitor, inspector, or any party on site for any reason, both during and outside of normal working hours.

## **25. BIDDING ON ALTERNATIVES**

- 25.1 Products and methods used and/or specified in these bid documents are intended to establish a standard of quality and are not meant to exclude alternative products or methods.
- 25.2 When a request to substitute an allegedly equal material or equipment is made to the City, the City may approve the substitution either as an equal or an alternate. If an item is approved as an equal, the Bidder may use that item in place of the specified item. If the item is approved as an alternate, the Bidder shall base its Bid Price upon the specified item and shall indicate in its Bid the reduction in price which shall apply if use of the alternate item is allowed.
- 25.3 Bidders shall include in their bid prices for any changes required in design or in the work of other trades to accommodate such alternatives. Any later claims for an addition to the Contract Price because of changes in design or in the work required by incorporating the alternatives into the work will be rejected.
- 25.4 Alternatives that are ambiguous or do not contain sufficient information to allow the City to properly evaluate the products of execution proposed may be rejected. Bidders may list such Alternatives in the bid form and shall provide an Alternative Price should the Alternative be accepted. Acceptance of any Alternative is at the sole discretion of the City.
- 25.5 The City shall consider alternatives, provided that:
- 25.5.1 The Alternatives are priced clearly and separately from the base Bid (Use Bidder's Proposed Alternatives in Bid Form);

25.5.2 Clearly identifying the specified product or method of execution, and the proposed alternative product or method of execution;

25.5.3 Submitted sufficient information to enable the City to properly evaluate the alternative proposal. Such information to include specifications, product literature, samples, photographs, and other pertinent data to completely describe products or execution proposed, including optional features, finishes, materials and sizes.

25.6 To facilitate evaluation of alternates the City reserves the right to:

- Request additional information;
- Extend the time to review.

## 26. SOIL INFORMATION

Soil information provided in the documents and/or drawings cannot reveal all conditions that exist or can occur on the site. Bidders are responsible for assuring themselves of actual site conditions.

## 27. TRAFFIC MANAGEMENT PLAN

The Traffic Management Plan is required to demonstrate that the contractor will be able to provide access to residents and always manage vehicular and pedestrian traffic volumes in a safe manner during construction.

The information to be included in the Plan is as follows:

1. Order of works (staging) with estimated time to complete each stage;
2. Proposed location of barricades and signage (barricades and signs to be provided by the contractor);
3. Proposed location for parking equipment and storing materials during the construction period;
4. Proposed direction of traffic;
5. Proposed location of flag persons (if required);
6. Temporary roads (if applicable);
7. Location of temporary parking (if applicable).

## 28. WAIVER

The Bidder hereby waives any claim for damages or costs of any nature against the City (including, without limitation, the cost of preparing and submitting the Bid, and any anticipated profits and contributions to overhead) arising out of the City's use of its discretion under the Bid Documents. In preparing and submitting this Bid, Bidders are advised that the City may award other contracts for work in the area.

END OF SECTION

---

ASPHALT MULTI-USE PATH INSTALLATION. CART PATH PAVING  
CONTRACT 5-2025  
**SECTION 3. AGREEMENT**

---

1. AGREEMENT.....	2
2. CONTRACT DOCUMENTS .....	2
3. CONTRACT PRICE .....	2
4. PAYMENT .....	2
5. TIME .....	3
6. CONTRACTOR’S COVENANTS.....	3
7. CONTRACTOR’S REPRESENTATIONS .....	4
8. RIGHTS AND REMEDIES.....	4

ASPHALT MULTI-USE PATH INSTALLATION. CART PATH PAVING

**1. AGREEMENT**

This Agreement made as of this \_\_\_\_\_ day of \_\_\_\_\_, 20\_\_\_, by and between City of Morden of the first part and \_\_\_\_\_ of the City of \_\_\_\_\_ in the Province of \_\_\_\_\_ (hereinafter called "the Contractor") of the second part.

The City of Morden and the Contractor agree as follows:

- 1.1 This agreement will come into force from the date of last signature on the agreement and remain in force until completion of the work unless terminated in accordance with GC19.
- 1.2 Contract means this written agreement and the contract documents listed in Section 2.0 of this written agreement and subsequent amendments made in accordance with the provisions of the contract documents.
- 1.3 The Contractor shall perform The Work required by the Contract for:

**ASPHALT MULTI-USE PATH INSTALLATION. CART PATH PAVING**

in strict accordance with the Plans and Specifications and to deliver the Work, complete and fully finished in every particular to the City of Morden.

**2. CONTRACT DOCUMENTS**

The following documents, together with this Agreement, shall constitute the Contract Documents referred to in article 1.2 — THE WORK:

- A. Instructions to Bidders
- B. Bid Form
- C. Addenda (if any)
- D. Notice of Acceptance
- E. General Conditions
- F. Supplementary Conditions
- G. Drawings and Specifications, as listed in the Bid Documents

**3. CONTRACT PRICE**

The Contract Price shall be as follows:

- 3.1 The Bid Amount, as set out in the Bid Form (Section 4), for the unit prices agreed upon and for the actual quantities of work performed by the Contractor; and
- 3.2 Any changes made to contract price on account of scope changes, as may be required, in accordance with GC7.

**4. PAYMENT**

The City of Morden shall make payments in Canadian funds to the Contractor for the actual Work completed including materials in place at the unit prices stated in the Contractor's Tender Forms



ASPHALT MULTI-USE PATH INSTALLATION. CART PATH PAVING

and in accordance with the payment conditions and other applicable provisions of the Contract.

- 4.1 Measurements and payments will be according to the unit prices and units indicated in Section 4, Bid Form, and as explained or qualified herein.
- 4.2 Payment will be monthly unless the City and Contractor make other arrangements and the City will deduct the appropriate holdback from each progress payment.
- 4.3 Provided that the City may withhold or, on account of subsequently discovered evidence, nullify the whole or part of any Certificate of Completion to such an extent as may be necessary to protect the City from loss on account of:
  - A. The Contractor’s unsatisfactory execution of the Work.
  - B. Defective or damaged Work requiring correction or replacement.
  - C. Claims or liens filed or reasonable evidence indicating the probable filing of claims or liens.
  - D. Failure of the Contractor to make payments promptly to subcontractors or for materials or labour.
  - E. A reasonable doubt that the Contract can be completed for balance unpaid.
  - F. Damage to another Contractor’s Work which has not been settled which may result in the Other Contractor whose Work has been damaged bringing action against the City; in case of such action, the Contractor shall bear the expense of same.

When the above grounds are satisfactorily accounted for, payment shall be made for the amounts withheld because of them.

**5. TIME**

Time shall be of the essence of this Agreement. The Contractor shall commence the Work on the date agreed upon by both parties and shall complete all works on or before the completion date specified in *SECTION 2. Instructions to the Bidders*.

**6. CONTRACTOR’S COVENANTS**

Contractor undertakes and agrees:

- 6.1 To perform & fulfill every agreement contained in the Contract Documents and to furnish all labour, materials and equipment unless otherwise indicated, together with all work incidental thereto, necessary and required to perform all the Work described in the Contract Documents and which have been executed in duplicate by both parties and which were prepared by the City.
- 6.2 To complete the Work by dates stated in *SECTION 2. Instructions to the Bidders*.
- 6.3 In the event of the Contract being extended to include additional Work, the additional work will be subject to the same terms and conditions as this Contract.
- 6.4 To maintain the Work in complete repair until the date of the Final Acceptance Certificate.
- 6.5 Should the Contractor fail to complete the Work in accordance with the Contract and to the satisfaction of the City within the time specified, the Contractor shall pay to the City amounts payable specified as liquidated damages that the City will suffer due to said delay and default. The

## ASPHALT MULTI-USE PATH INSTALLATION. CART PATH PAVING

City reserves the right to recover any other kind of damages or losses which were not known or calculable when the liquidated damages were determined. The City may deduct and retain the amounts of such liquidated damages out of the monies, which may be due or become due to the Contractor under the Contract.

- 6.6 Notwithstanding the issue of certificates under Mechanics' or Builder's Lien legislation enabling the Contractor to obtain a reduction in the lien holdback, and notwithstanding the wording of such certificates, the Contractor shall protect the work of the subcontractor(s) pending completion of the entire Work and shall correct any defects in it regardless of whether the same were apparent when such certificates were issued.

## **7. CONTRACTOR'S REPRESENTATIONS**

In order to induce the City to enter into this Agreement the Contractor makes the following representations:

- 7.1 The Contractor is skilled in the construction of the Work described in the Contract Documents and is well able to perform the Work in accordance therewith.
- 7.2 The Contractor has examined the site of the Work and has familiarized himself with the nature and extent of the Contract Documents, Work, locality, and with all local conditions and federal, provincial and local laws, ordinances, rules and regulations that in any manner affect cost, progress or performance of the Work.
- 7.3 The Contractor has studied carefully all reports of investigations and tests of subsurface and latent physical conditions at the site or otherwise affecting cost, progress or performance of the Work which have been identified in the Contract Documents and acknowledges that the reports and tests are not guaranteed as to accuracy or completeness, nor are they part of the Contract Documents. The Contractor does not rely upon any information given verbally or statement made to him in relation to the Work by the City.
- 7.4 The Contractor has made or caused to be made examination, investigations, and tests and has carefully studied reports and related data based thereon or obtained therefrom and he is confident the Work can be performed at the Contract Price, within the Contract Time and in accordance with the other terms and conditions of the Contract Documents.
- 7.5 The Contractor has correlated the results of all such observations, examinations, investigations, tests, reports and data with the terms and conditions of the Contract Documents.
- 7.6 The Contractor has given the City written notice of all conflicts, errors or discrepancies that he has discovered in the Contract Documents and the written resolution thereof by the City is acceptable to the Contractor or, no written notice having been given, the Contractor takes no exception to the Contract Documents as written.

## **8. RIGHTS AND REMEDIES**

- 8.1 The duties and obligations imposed by the Contract Documents and the rights and remedies available thereunder shall be in addition to and not a limitation of any duties, obligations, rights and remedies otherwise imposed or available by law.
- 8.2 No action or failure to act by the City or Contractor shall constitute a waiver of any right or duty afforded any of them under the Contract, nor shall any such action or failure to act constitute an

ASPHALT MULTI-USE PATH INSTALLATION. CART PATH PAVING

approval of or acquiescence in any breach thereunder, except as may be specifically agreed in writing.

8.3 The Contract shall be interpreted under and governed by the laws of Province of Manitoba and Canada.

IN WITNESS WHEREOF the Contractor and the City have executed this Agreement this \_\_\_\_ day of \_\_\_\_\_, 2025.

SIGNED, SEALED and DELIVERED  
on behalf of the Contractor

CONTRACTOR

In the presence of:

\_\_\_\_\_  
Company Name

\_\_\_\_\_  
Print Name of Witness

\_\_\_\_\_  
Signature

\_\_\_\_\_

\_\_\_\_\_  
Print Name & Title

\_\_\_\_\_  
Address

\_\_\_\_\_  
Signature

\_\_\_\_\_  
Signature of Witness

\_\_\_\_\_  
Print Name & Title

SIGNED, SEALED and DELIVERED  
on behalf of the City

**CITY OF MORDEN**

In the presence of:

\_\_\_\_\_  
Company Name

\_\_\_\_\_  
Print Name of Witness

\_\_\_\_\_  
Signature

\_\_\_\_\_

\_\_\_\_\_  
Print Name & Title

\_\_\_\_\_  
Address

\_\_\_\_\_  
Signature

\_\_\_\_\_  
Signature of Witness

\_\_\_\_\_  
Print Name & Title

ASPHALT MULTI-USE PATH INSTALLATION. CART PATH PAVING

ASPHALT MULTI-USE PATH INSTALLATION. CART PATH PAVING  
CONTRACT 5-2025  
**SECTION 4. BID FORM**

---

1. SUBMISSION .....	2
2. TENDER PRICE.....	2
3. SIGNATURES .....	3
4. SCHEDULE OF UNIT PRICES .....	4
5. SCHEDULE OF EQUIPMENT, LABOUR, MATERIALS AND ASSOCIATED RATES .....	6
6. SCHEDULE OF SUBCONTRACTORS .....	7
7. SCHEDULE OF QUALIFICATIONS.....	8
8. BIDDER’S PROPOSED ALTERNATIVES.....	9

ASPHALT MULTI-USE PATH INSTALLATION. CART PATH PAVING

**1. SUBMISSION**

1.1 The following tender is hereby submitted to:

City of Morden  
hereinafter called the "Owner"

1.2 On behalf of:

\_\_\_\_\_  
Legal Name of Tenderer

\_\_\_\_\_  
Address

\_\_\_\_\_  
City

\_\_\_\_\_  
Province

\_\_\_\_\_  
Postal Code

\_\_\_\_\_  
Phone

\_\_\_\_\_  
Fax

\_\_\_\_\_  
Contact Person

Hereinafter called the "Tenderer".

1.3 The Tenderer agrees to furnish all material, labour, plant and equipment necessary for the proper construction of the:

**CITY OF MORDEN  
ASPHALT MULTI-USE PATH INSTALLATION. CART PATH PAVING**

in accordance with the Agreement, General Conditions, Supplementary Conditions, Specifications, Addenda (if any) and Drawings which will form the Contract Documents.

**2. TENDER PRICE**

2.1 I/We, the Tenderer, having carefully reviewed the Tender Documents and Addenda, hereby offer to construct the Work in accordance with the foregoing Documents for the sum of:

\_\_\_\_\_  
\_\_\_\_\_/100 dollars

(\$ \_\_\_\_\_) (excluding GST) in lawful money of Canada, which price includes, costs for all changes required by the following Addenda (if any) issued during the Tender period:

Addendum \_\_\_\_\_ Date \_\_\_\_\_

ASPHALT MULTI-USE PATH INSTALLATION. CART PATH PAVING

Addendum \_\_\_\_\_ Date \_\_\_\_\_

Addendum \_\_\_\_\_ Date \_\_\_\_\_

Addendum \_\_\_\_\_ Date \_\_\_\_\_

and the applicable taxes in force at this date except as may be otherwise provided in the Tender Document.

**3. SIGNATURES**

Dated this \_\_\_\_\_ day of \_\_\_\_\_, 20 \_\_\_\_.

_____	_____
_____	_____
_____	_____
_____	_____
(Signature of Witness)	(Signature of Tenderer)

(Seal)

**NOTE:**

- .1 If the Tender is submitted by or on behalf of a corporation, it must be signed in the name of such by the duly authorized officers, witnessed, and the seal of the corporation must be affixed. If the Tender is submitted by or on behalf of an individual or partnership, the signature(s) must be witnessed and a seal affixed opposite the signature(s).
- .2 The Owner may require evidence of the authority of any person purporting to sign a Tender on behalf of a person, firm or corporation, whether as principal, agent or attorney.

ASPHALT MULTI-USE PATH INSTALLATION. CART PATH PAVING

**8. SCHEDULE OF UNIT PRICES**

Please list your subcontractors in SCHEDULE OF SUBCONTRACTORS.

	Item Description	Qty.	Unit	Unit Price (\$)	Total Price (\$)
<b>MULTI-USE PATH</b>					
1.	Common Excavation	300	YD3	\$	\$
2.	Existing Gravel Base Preparation	165	SM	\$	\$
3.	Supply and Install Compacted C-Base	300	YD3	\$	\$
4.	Install concrete sidewalk ramps	10	SM	\$	\$
5.	Supply and Install 48"x24" Tactile Strip	6	EACH	\$	\$
6.	Supply and install 0.08m asphalt pavement	165	TONN	\$	\$
7.	Landscape and Hydro Seed	1320	SM	\$	\$
<b>SUBTOTAL FOR MULTI-USE PATH</b>					
<b>CART PATH</b>					
8.	Existing Gravel Base Preparation	265	SM	\$	\$
9.	Supply and install 0.08m asphalt pavement	42	TONN	\$	\$
<b>SUBTOTAL FOR CART PATH</b>					
<b>FALCON DR BERM</b>					
10.	Saw cut and remove existing asphalt pavement	1	LS	\$	\$
11.	Supply and Install Asphalt pavement	50	TONN	\$	\$
12.	Landscape w/ topsoil and hydro seed	1	LS	\$	\$
<b>SUBTOTAL FOR FALCON DR BERM</b>					
<b>SUBTOTAL</b>				\$	
<b>GST (5%)</b>				\$	

ASPHALT MULTI-USE PATH INSTALLATION. CART PATH PAVING

<b>TOTAL</b>	<b>\$</b>
--------------	-----------

Notes: 1. See *SECTION 7. Specifications* for BID FORM CLARIFICATIONS.

---

Signature of Bidder



ASPHALT MULTI-USE PATH INSTALLATION. CART PATH PAVING

**9. SCHEDULE OF EQUIPMENT, LABOUR, MATERIALS AND ASSOCIATED RATES**

We agree that the City will use rates indicated below as a basis for Extra Work and Down Time payments.

Item (Material, Labour, Equipment, Etc.)	Rate (\$)	Hourly/Daily/Cubic Yard/Etc.

\_\_\_\_\_  
Signature of Bidder

**10. SCHEDULE OF SUBCONTRACTORS**

The following are the Subcontractors we propose to use for the Work listed:

Subtrade Section	Name and Address

---

Signature of Bidder

**11. SCHEDULE OF QUALIFICATIONS/REFERENCES**

Project	Location and Description

\_\_\_\_\_  
Signature of Bidder

ASPHALT MULTI-USE PATH INSTALLATION. CART PATH PAVING

**12. BIDDER'S PROPOSED ALTERNATIVES**

Use additional pages if needed. Sign every page and submit with Bid Form.


\_\_\_\_\_  
Signature of Bidder

END OF SECTION

ASPHALT MULTI-USE PATH INSTALLATION. CART PATH PAVING  
CONTRACT 5-2025  
SECTION 5. GENERAL CONDITIONS

---

1. DEFINITIONS .....	2
2. INTERPRETATION .....	3
3. DECLARATIONS .....	4
4. EXECUTION OF CONTRACT .....	5
5. AUTHORITY OF CONTRACT ADMINISTRATOR .....	5
6. RESPONSIBILITIES OF CONTRACTOR .....	7
7. CHANGES IN WORK .....	11
8. RIGHT OF ENTRY .....	14
9. CONTROL OF PLANT AND MATERIAL .....	14
10. RISK AND RESPONSIBILITY .....	14
11. INSPECTION .....	15
12. MEASUREMENT AND PAYMENT .....	16
13. WARRANTY .....	18
14. GOVERNING LAW .....	20
15. ASSIGNMENT .....	20
16. FORCE MAJEURE .....	20
17. INDEMNITY .....	21
18. EVENTS OF DEFAULT .....	22
19. CITY’S RIGHTS AND REMEDIES .....	22
20. SURETY’S OPTION TO ASSUME THE CONTRACT .....	24
21. CONTRACTOR’S RIGHT TO APPEAL .....	25
22. ARBITRATION .....	25
23. NOTICES .....	26

## 1. DEFINITIONS

- 1.1 Where used in these General Conditions and in the other documents forming part of the Contract:
- (a) **“Award Authority”** means the authority having the jurisdiction to award the Contract according to the City’s by-laws, policies or procedures;
  - (b) **“Bid”** means the offer contained in the Tender Submission;
  - (c) **“Bidder”** means any person submitting a Bid for the Work;
  - (d) **“Bidding Procedures”** means the portion of the Tender Package by that name which sets out the terms and conditions governing the Bid, and “BP:” designates a section, clause or subclause in that portion of the Tender Package;
  - (e) **“Business Day”** means any Calendar Day, other than a Saturday, Sunday, or a statutory or civic holiday;
  - (f) **“Calendar Day”** means the period from one midnight to the following midnight;
  - (g) **“Change in Work”** means an addition, deletion or modification to the Work as described in the Contract at the time that the Contract is awarded and includes modifications in quantity or nature of Plant, Material or labour, methods, location or work schedule;
  - (h) **“Chief Administrative Officer”** means the City employee holding that office or, if applicable, the successor to the authority or responsibility of such office;
  - (i) **“City”** means The City of Morden
  - (j) **“City Solicitor”** means the City employee holding that office or, if applicable, or an external law firm hired to perform the duties or responsibility of such office;
  - (k) **“Contract”** means the combined documents consisting of the agreement prepared and forwarded to the Contractor pursuant to GC:4 and all schedules thereto (consisting of the Tender Package and any documents and Drawings referred to and incorporated therein) together with any submissions required to be made by the Contractor after award, and all amendments to the foregoing;
  - (l) **“Contract Administrator”** means the person designated as such in the Supplemental Conditions;
  - (m) **“Contract Price”** means the price agreed upon for the Work and any adjustments thereto which may be required or agreed to pursuant to the Contract;
  - (n) **“Contractor”** means the person undertaking the performance of the Work under the terms of the Contract;
  - (o) **“Council”** means the Council of The City of Morden;
  - (p) **“Drawings”** means drawings which show the nature and scope of the Work to be performed and which have been prepared or approved by the Contract Administrator and are referred to in the Contract;
  - (q) **“GC:”** designates a section, clause or subclause in these General Conditions;
  - (r) **“Material”** means any things, including goods, parts and equipment, which are to form part of the permanent Work;
  - (s) **“Person”** means an individual, firm, partnership, association or corporation, or any combination thereof, and includes heirs, administrators, executors or legal representatives of a person;
  - (t) **“Plant”** means any things brought to or constructed upon the Site by the Contractor for the performance of the Work, including goods, tools, equipment, consumable supplies, fuel, power and utility connections therefor, but does not include Material;
  - (u) **“Shop Drawings”** means all drawings, diagrams, illustrations, schedules, performance

- charts, brochures and other data which are prepared by the Contractor, Subcontractor, manufacturer, supplier or distributor and which illustrate some portion of the Work;
- (v) **"Site"** means the lands and other places, including structures, on, under, in or through which the Work is to be performed;
  - (w) **"Specifications"** means the portion of the Tender Package by that name which sets out the written description of the physical or functional characteristics of the supplies, services and construction, or any part thereof, including without limitation any requirement for testing or inspection, and "SP:" designates a section, clause or subclause in that portion of the Tender Package;
  - (x) **"Subcontractor"** means a person contracting with the Contractor for the performance of a part or parts of the Work or for the furnishing of Plant or Material and includes a Subcontractor's subcontractor;
  - (y) **"Submission Deadline"** means the time and date set out in the Bidding Procedures for final receipt of Bids;
  - (aa) **"Substantial Performance"** shall have the meaning attributed to it in The Builders' Liens Act (Manitoba), or any successor legislation thereto;
  - (bb) **"Supplemental Conditions"** means the portion of the Tender Package by that name which sets out terms and conditions specific to the Contract, and supplements or modifies the General Conditions, and "SC:" designates a section, clause or subclause in that portion of the Tender Package;
  - (cc) **"Tender Package"** means the Tender Submission, the Bidding Procedures, these General Conditions, the Supplemental Conditions, the Specifications, the Drawings and all addenda;
  - (dd) **"Tender Submission"** means that portion of the Tender Package which must be completed or provided and submitted by the Submission Deadline in order to constitute a responsive Bid;
  - (ee) **"Total Performance"** means that the entire Work, except those items arising from the provisions of GC:13, have been performed in accordance with the Contract;
  - (ff) **"Work"** means the carrying out and the doing of all things, whether of a temporary or permanent nature, that are to be done by the Contractor pursuant to the Contract and, without limiting the generality of the foregoing, includes the furnishing of all Plant, Material, labour and services necessary for or incidental to the fulfilment of the requirements of the Contract, including all Changes in Work which may be ordered as herein provided;
  - (gg) **"Working Day"** means any Calendar Day, other than a Saturday, Sunday, or a statutory or civic holiday, on which the Contract Administrator determines atmospheric and Site conditions are such that the Contractor is able to work at least seven (7) hours during the period between 7:00 a.m. Winnipeg time or the time the Contractor's operations normally commence, whichever is the earlier, and 7:00 p.m. Winnipeg time.

## 2. INTERPRETATION

- 2.1 Where the Contractor consists of more than one person, the obligations of the Contractor shall be joint and several.
- 2.2 Wherever the singular or masculine is used, it shall be construed to mean the plural or the feminine or the neuter as the context may reasonably require.

- 2.3 Headings, titles and margin notes in the Contract are inserted for convenience only and shall not be considered in any construction or interpretation of the Contract.
- 2.4 In the event of conflicts between portions of the Contract, the following shall apply:
- (a) the executed agreement between the City and Contractor shall govern over all schedules or other documents forming part of the Contract;
  - (b) the Supplemental Conditions shall govern over the General Conditions;
  - (c) the General Conditions shall govern over Specifications;
  - (d) Specifications of a later date shall govern over Specifications of an earlier date;
  - (e) Specifications shall govern over Drawings;
  - (f) Drawings of a later date shall govern over Drawings of an earlier date;
  - (g) Drawings of larger scale shall govern over those of smaller scale;
  - (h) figured dimensions shown on a Drawing shall govern over scaled or implied dimensions on the same Drawing; and
  - (i) Drawings shall govern over the Tender Submission.
- 2.5 The various portions of the Contract are intended to be read together and complement each other, and what is called for by any one shall be deemed to be called for by all.
- 2.6 The City and the Contractor acknowledge and agree that the Contractor is an independent contractor and neither the Contractor, nor any officer, servant or agent of the Contractor, shall be deemed to be an employee, agent, representative or servant of the City.
- 2.7 The Contract shall constitute the entire agreement between the City and the Contractor. There are no representations, warranties, covenants or agreements other than those contained in the Contract.

### 3. DECLARATIONS

#### Site Investigation

- 3.1 The Contractor declares that, in bidding for the Work and in entering into the Contract, he:
- (a) has investigated the Site, the nature of the Work to be done and all local conditions that might affect his Bid or his performance of the Work, including:
    - (i) the location of any utility which can be determined from the records or other information available at the offices of any public authority or person, including a municipal corporation and any board or commission thereof, having jurisdiction or control over the utility;
    - (ii) the nature of the surface and subsurface conditions at the Site;
    - (iii) the location, nature, quality or quantity of the materials to be removed or to be employed in the performance of the Work;
    - (iv) the nature, quality or quantity of the Plant needed to perform the Work;
    - (v) all matters concerning access to the Site, power supplies, location of existing services, utilities or materials necessary for the completion of the Work; and
    - (vi) all other matters which could in any way affect the performance of the Work; or
  - (b) has not investigated the Site, the nature of the Work to be done or local conditions;



and, in either event, assumes all risk for conditions now existing or arising in the course of the Work which have been or could have been determined through such investigation, and that he did not and does not rely upon information furnished by the City or any of its servants or agents other than information furnished in writing for or in connection with the Bid or the Contract by the Contract Administrator.

#### **Good Faith**

- 3.2 The Contractor declares that, in bidding for the Work and in entering into the Contract, he:
- (a) does so in good faith and that to the best of his knowledge no member of Council or any officer or employee of the City has any pecuniary interest, direct or indirect, in the Contract;
  - (b) has not participated in any collusive scheme or combine;
  - (c) shall forfeit all claims under the Contract as well as refund to the City any monies paid to him, beyond his actual proven expenses for Work done, if GC:3.2 (a) or (b) are shown to be false.

#### **4. EXECUTION OF CONTRACT**

- 4.1 The Contractor shall execute the Contract in the manner stipulated by the City Solicitor and return the Contract, within seven (7) Calendar Days of receipt of the Contract, to the City Solicitor at the address indicated in the Supplemental Conditions.
- 4.2 If the Contractor does not execute and return the Contract as set out in GC:4.1, the Contractor may be deemed by the City to have abandoned the Contract, whereupon the acceptance of the Bid by the City shall be null and void, and the City shall be entitled to retain the bid security accompanying the Bid as liquidated damages.
- 4.3 No payments will be made by the City to the Contractor until the Contractor has executed and returned the Contract as set out in GC:4.1.

#### **5. AUTHORITY OF CONTRACT ADMINISTRATOR**

##### **General**

- 5.1 The Contract Administrator shall be the City's representative throughout the duration of the Contract and shall have authority to act on behalf of the City to the extent expressly provided for in the Contract.

##### **Contract**

- 5.2 The Contract Administrator shall interpret or clarify the Contract or any part thereof which appears indefinite, not clear or contradictory to the Contractor.

- 5.3 The Contract Administrator may at any time correct errors or omissions in the Contract or issue additional Drawings or Specifications further detailing, explaining or modifying the Work. Such Drawings or Specifications shall either supplement or supersede those forming part of the Contract at the time the Contract was executed.

**Inspection**

- 5.4 The Contract Administrator may examine or inspect the Work or any part thereof and determine whether the Work meets the requirements of the Contract. The Contract Administrator may reject the Work or any part thereof which does not meet the requirements of the Contract.

**Control**

- 5.5 The Contract Administrator may give instructions or orders to the Contractor to the extent necessary to ensure that the Work is performed in an orderly manner and meets the requirements of the Contract.

- 5.5.1 The Contract Administrator may give instructions or orders to the Contractor's supervisor on the Site and such instructions or orders shall be deemed to have been given to the Contractor.

- 5.6 The Contract Administrator may order the Contractor to remove from the Work any person employed or retained by the Contractor or a Subcontractor in the performance of the Work who the Contract Administrator determines is incompetent, negligent or guilty of misconduct.

- 5.7 The Contract Administrator may order the Contractor to alter or improve his methods, to increase or improve his Plant, to furnish additional or more suitable Material, or to employ additional or more qualified labour if, at any time, the Contract Administrator determines that:

- (a) the Work is not being, or will likely not be, constructed satisfactorily; or
- (b) progress is not being, or will likely not be, maintained in accordance with the work schedule.

- 5.8 The Contract Administrator may order the Contractor to stop work or to take such remedial measures as the Contract Administrator considers necessary, if, at any time, the Contract Administrator determines that:

- (a) a danger to life or to property exists; or
- (b) such stoppage or remedial measures may be necessary to ensure the performance of the Work in accordance with the requirements of the Contract.

- 5.9 Neither the giving of any orders by the Contract Administrator nor the carrying out of such orders by the Contractor shall entitle the Contractor to any extra payment, nor relieve the Contractor of his responsibilities under GC:6.

- 5.10 The Contract Administrator shall determine if and when Substantial Performance and Total Performance are achieved and shall certify the dates thereof.
- 5.11 If the Contractor disputes a determination or order of the Contract Administrator on any of the foregoing matters, the Contractor shall act in accordance with the Contract Administrator's determination or order. The Contractor may concurrently appeal the determination or order of the Contract Administrator to the Chief Administrative Officer as provided for in GC:21.

**6. RESPONSIBILITIES OF CONTRACTOR**

**General**

- 6.1 Except as otherwise provided in the Contract, the Contractor shall be solely responsible for construction means, methods, techniques, sequences and procedures, and for coordinating the various parts of the Work so as to ensure its proper completion in a sound and workmanlike manner, in all respects in strict conformity with the Contract and in accordance with the approved work schedule.
- 6.2 The Contractor shall have complete control over the methods of performing the Work and shall direct and supervise the Work so as to ensure conformance with the Contract.
- 6.3 The Contractor shall provide all Plant, Material, labour, services and incidentals necessary for the performance of the Work.
- 6.4 The Contractor shall be responsible for any Work not explicitly set out in the Contract but which may be reasonably implied for the proper completion of the Work.
- 6.5 Unless otherwise specified in the Specifications, all Material shall be new, fit for the purpose intended and shall meet or exceed the kind, quality and quantity of same specified in the Contract. If required, the Contractor shall provide evidence satisfactory to the Contract Administrator that the foregoing requirements have been met.

**Contract**

- 6.6 The Contractor shall perform, complete and maintain the Work in strict accordance with the Contract.
- 6.7 If the Contract or any part thereof appears indefinite, not clear or contradictory, the Contractor shall refer such feature or features to the Contract Administrator for interpretation or clarification.
- 6.8 The Contractor shall be responsible for conveying the interpretation or clarification of the Contract, as given by the Contract Administrator, to Subcontractors.
- 6.9 The Contractor shall prepare and submit all drawings, schedules, documents or information required by the Contract and such other drawings, schedules, documents or

information as may reasonably be required by the Contract Administrator.

- 6.10 The Contractor shall keep one copy of the Contract and any other approved drawings, schedules, documents or other information at the Site, and shall make them available at all reasonable times for the inspection and use of the Contract Administrator.

#### **Laws and Regulations**

- 6.11 The Contractor shall comply with all laws, by-laws, ordinances, regulations, codes and orders of authorities having jurisdiction which are or come into force during the performance of the Work and which relate to the Work. Where there are two or more laws, by-laws, ordinances, regulations or codes applicable to the Work, the most restrictive shall apply.
- 6.12 The Contractor shall procure approvals, clearances, permits, licences and certificates required by law or by any by-laws, ordinances, regulations, codes or orders of the authorities having jurisdiction for the performance of the Work, but this shall not include the obtaining of permanent easements or rights of servitude.
- 6.13 The Contractor shall give any notices required by law or by by-laws, ordinances, regulations, codes or orders of the authorities having jurisdiction and which relate to the Work.
- 6.14 The Contractor shall be registered with the Workers Compensation Board of Manitoba, shall provide and maintain workers compensation coverage throughout the term of the Contract, and shall provide the Contract Administrator with evidence thereof upon request.
- 6.15 The Contractor shall not be responsible for verifying that the Contract complies with the applicable laws, by-laws, ordinances, regulations, codes and orders relating to the Work.

#### **Ombudsman**

- 6.16 The Contractor acknowledges that the Manitoba Ombudsman has the authority under The Ombudsman Act, to investigate complaints or initiate investigations concerning decisions or recommendations, acts done or omitted or procedures relating to a matter of administration in or by a municipal unit of the City, and has the authority, *inter alia*, to require a person (including a Contractor) to furnish information or produce a document or thing in the course of investigating such complaints or carrying out such investigations.
- 6.17 The Contractor shall promptly comply with all requests, orders or demands of the City ombudsman to furnish or produce such information, documents or things, and shall cooperate fully and promptly comply with any other request, order or demand of the City ombudsman made within the ombudsman's authority under The City of Morden Act.

#### **Patents and Royalties**

- 6.18 If the Contract requires or the Contractor desires the use of any design, device, material or process covered by letters patent, copyright, trademark or trade name, the Contractor shall provide for such use by suitable legal agreement with the owner or licensee.
- 6.18.1 Upon request of the Contract Administrator, the Contractor shall provide the City with a copy of the said agreement.
- 6.19 If the City or the Contractor is served with a claim or notice of an infringement or alleged infringement of any patent, copyright, trademark or trade name, the party so served shall immediately give notice thereof to the other party.
- 6.20 If the City or the Contractor is prevented by injunction from using any design, device, material or process covered by letters patent, copyright, trademark or trade name, the Contractor shall, at his own cost, substitute an equally suitable design, device, material or process, all subject to the prior approval of the Contract Administrator.

**Supervision**

- 6.21 The Contractor shall provide competent, suitably qualified personnel to perform the Work. He shall at all times maintain good discipline and order at the Site.
- 6.22 The Contractor shall obey, perform and comply with the Contract Administrator's orders, instructions, rules and procedures with respect to the Work or concerning the conduct thereof, promptly, efficiently and to the satisfaction of the Contract Administrator and he will assist other contractors, their employees and agents to do the same.
- 6.23 The Contractor shall employ and keep on the Work, at all times during the performance of the Work, a competent supervisor and assistants, if necessary, acceptable to the Contract Administrator. The supervisor shall represent the Contractor on the Site. The supervisor shall not be replaced without the prior consent of the Contract Administrator unless the supervisor proves to be unsatisfactory to the Contractor and ceases to be in his employ.
- 6.24 If the Contract Administrator orders a person to be removed from the Work, the Contractor shall comply forthwith. Any person so removed shall not be re-employed on the Work by the Contractor or by a Subcontractor.

**Control**

- 6.25 The Contractor must arrange and carry on his Work so as not to conflict with the Work being carried on or to be carried on for the City by other contractors or by the City's employees. If the Contractor finds it difficult to work in harmony with such parties, he shall notify the Contract Administrator promptly.
- 6.26 The Contractor shall be solely responsible for construction safety at the Site and for compliance with all laws, rules, regulations and practices required by the applicable construction and safety legislation.
- 6.27 The Contractor shall be solely responsible for securing the Site, and any existing facility

thereon, and for the proper care and protection of the Work already performed.

- 6.28 The Contractor shall do whatever is necessary to ensure that:
- (a) no person, property, right, easement or privilege is injured, damaged or infringed by reason of the Contractor's activities in performing the Work;
  - (b) pedestrian and other traffic on any public or private road or waterway is not unduly impeded, interrupted or endangered by the performance or existence of the Work or Plant;
  - (c) fire hazards in or about the Work or its Site are eliminated;
  - (d) the health and safety of all persons employed in the performance of the Work or otherwise is not endangered by the method or means of its performance;
  - (e) adequate medical services are available to all persons employed on the Work or its Site at all times during the performance of the Work;
  - (f) adequate sanitation measures are taken and facilities provided with respect to the Work and its Site;
  - (g) all survey posts, buoys or control monuments are protected and are not removed, defaced, altered or destroyed; and
  - (h) all stakes, buoys and marks placed on the Work or its Site by or under the authority of the Contract Administrator are protected and are not removed, defaced, altered or destroyed.
- 6.29 The Contractor shall maintain the Site and the Work in a tidy condition and free from the accumulation of waste and debris, other than that caused by the City or by other contractors. Upon attaining Substantial Performance, the Contractor shall remove any Plant and Material not required for the performance of the remaining Work. He shall also remove waste and debris other than that caused by the City or other contractors and leave the Site and the Work clean and suitable for occupancy by the City unless otherwise specified.
- 6.30 Total Performance shall not be considered to have been achieved until the Contractor has cleaned up the Site and has removed all Plant, surplus Material, waste and debris, other than that left by the City or other contractors.
- 6.31 The Contractor shall perform the Work so as to progress continuously with the Work or any part thereof and in such a manner as to ensure the proper completion of the Work or any part thereof, within the time stipulated.

### **Subcontractors**

- 6.32 The Contractor agrees that the list of names of Subcontractors included in his Tender Submission is the list of Subcontractors proposed to be used to carry out those parts of the Work noted thereon, and he shall not employ any to whom the Contract Administrator may reasonably object. The Contractor shall not make any change to the list of Subcontractors without the prior approval of the Contract Administrator.
- 6.33 The Contractor, with respect to Work to be performed under subcontract, shall:

- (a) enter into contracts or written agreements with his Subcontractors to require them to perform their work in complete conformance with and subject to the terms and conditions of the Contract; and
- (b) be as fully responsible to the City for acts and omissions of his Subcontractors and of persons directly or indirectly employed by them as for acts and omissions of persons directly employed by him.

6.34 The Contractor shall incorporate the terms and conditions of the Contract into all subcontract agreements he enters into with his Subcontractors.

6.35 The Contractor shall make prompt payment to his Subcontractors, his employees or on account of the purchase or rental of Plant or Material.

6.36 The Contractor shall promptly secure a discharge of a lien or trust claim served upon the City pursuant to The Builders' Liens Act (Manitoba).

**7. CHANGES IN WORK**

**General**

7.1 The City shall have the right to order a Change in Work at any time after award of the Contract.

7.2 If, at any time after award of the Contract, the Contractor is of the opinion that a Change in Work is necessary to accomplish the result intended by the Contract or if the Contractor considers it desirable that a Change in Work be approved, he shall promptly provide notice thereof to the Contract Administrator, including:

- (a) the reason for the proposed Change in Work;
- (b) a detailed description of the proposed Change in Work;
- (c) the Contractor's proposed method(s) to determine the adjustment, if any, in Contract Price pursuant to GC:7.4.

7.2.1 Without limiting the generality of GC:7.2, if the Contractor observes:

- (a) any substantial difference in the nature of the surface or subsurface conditions at the Site, or the location, nature, quality or quantity of the materials to be removed, from those set out in the Contract; or
- (b) that the Contract is at variance with any laws, ordinances, rules, regulations or codes of authorities having jurisdiction, or if changes are made to any laws, ordinances, rules, regulations and codes subsequent to the Submission Deadline which require modifications to the Contract;

the Contractor shall immediately notify the Contract Administrator.

7.3 The Contract Administrator shall determine whether a Change in Work is necessary or desirable and whether a corresponding adjustment to the Contract Price is required.

- 7.3.1 If the Contract Administrator determines that no Change in Work is necessary or desirable, he will issue a notice stating his determination.
- 7.3.2 If the Contract Administrator determines that a Change in Work is necessary or desirable but no corresponding adjustment to the Contract Price is required, he will issue a notice approving the Change in Work and stating his determination.
- 7.3.3 If the Contract Administrator determines that a Change in Work is necessary or desirable, which requires a corresponding adjustment to the Contract Price, and he is able to determine such adjustment based on the available information, he shall issue a notice approving the Change in Work and stating his determination regarding the method(s) to be used to determine the adjustment in Contract Price pursuant to GC:7.4.
- 7.3.4 If the Contract Administrator determines that a Change in Work is necessary or desirable, which requires a corresponding adjustment to the Contract Price, and he requires further information to determine such adjustment, he shall issue a notice stating his determination and requiring the Contractor to submit the Contractor's proposed method(s) to determine the adjustment in Contract Price pursuant to GC:7.4, and upon receipt and evaluation of such information, he shall issue a notice in accordance with GC:7.3.3.

**Valuation of a Change in Work**

- 7.4 The adjustment in Contract Price resulting from a Change in Work shall be determined by one or more of the following methods:
  - (a) by estimate in a lump sum;
  - (b) by the unit prices and methods of measurement set out in the Contract or subsequently agreed upon;
  - (c) by the actual cost of the Change in Work to the Contractor plus a fixed fee;
  - (d) by the actual cost of the Change in Work to the Contractor plus fifteen percent (15%) on any portion of the Change in Work undertaken by the Contractor's own forces or plus ten percent (10%) on any portion of the Change in Work undertaken by a Subcontractor.
- 7.4.1 For the purposes of GC:7.4 (c) or (d), "actual cost" on any portion of the Change in Work undertaken by the Contractor's own forces shall mean the direct cost of labour plus an allowance for direct supervision and payroll burden (including Employment Insurance, Canada Pension, Payroll Tax, Workers Compensation assessments and vacation pay), purchase or rental of Plant and Material and any other payments made by the Contractor with the prior approval of the Contract Administrator that are necessary for the performance of the Change in Work.
- 7.4.2 For the purposes of GC:7.4 (c) or (d), "actual cost" on any portion of the Change in Work undertaken by a Subcontractor shall mean the amount invoiced by the Subcontractor and paid by the Contractor, net of any discounts and excluding any late payment interest or penalties.



7.5 If a Change in Work results in a reduction in the Contract Price, no claim may be made for damages on the ground of loss of anticipated profit on Work so diminished or on any other ground provided that the aggregate reduction in the Contract Price does not exceed twenty percent (20%) of the price agreed upon for the Work as of the date of the award of the Contract.

7.5.1 Reductions in the Contract Price as a result of:

- (a) Changes in Work requested by the Contractor;
- (b) a deduction, pursuant to GC:11.7 (d), for defective or deficient Work;
- (c) a decrease, pursuant to GC:12.4, due to a change in tax; or
- (d) the City's application of a remedy for an event of default;

shall not be considered in calculating the aggregate reduction in the Contract Price for the purposes of GC:7.5.

7.6 If a Change in Work diminishes the Work, or any part thereof, resulting in:

- (a) extra cost to the Contractor, directly attributable to the diminution, for which he would not be entitled to payment on a unit price basis (e.g., loss of volume discounts); or
- (b) loss to the Contractor in respect of Material required by the City to be purchased by him for the Work but not used thereon as a direct result of the diminution (e.g., restocking charges);

the Contractor shall be compensated therefor by the City in the sum or sums determined by the Contract Administrator.

7.7 If the method of valuation or measurement or the adjustment to the Contract Price cannot be promptly agreed upon and the Contract Administrator requires the Change in Work to proceed, then the Contract Administrator will determine the method of valuation and measurement and the adjustment to the Contract Price. The Contract Administrator shall issue a notice approving the Change in Work and setting out the method of valuation, measurement, and any approved adjustments to the Contract Price.

7.8 If the Contractor disputes a determination made by the Contract Administrator, the Contractor shall act in accordance with the Contract Administrator's determination. The Contractor may concurrently appeal the determination of the Contract Administrator to the Chief Administrative Officer as provided for in GC:21.

**Cost Records**

7.9 If a valuation is required pursuant to GC:7.4 or GC:7.6, the Contractor shall provide the Contract Administrator with:

- (a) detailed and accurate statements showing:
  - (i) description, cost (including expenses for operation and maintenance) and time for

- Plant used by the Contractor;
- (ii) description, cost and quantity for Material used by the Contractor;
- (iii) name, rate of pay and hours of work for each of the persons employed by the Contractor; and
- (b) access to any cost records (including payroll records, time books and invoices) or other data necessary to verify the accuracy of such statements.

## **8. RIGHT OF ENTRY**

- 8.1 The Contractor shall not be entitled to exclusive possession of the Site.
- 8.2 The City shall have the right, for itself, its agents, representatives or other persons, to enter, occupy or use any portion of the Site or the Work, at any time and for so long a time as the Contract Administrator may require.
- 8.3 Such entry, occupation or use shall not constitute acceptance of the Work by the City nor shall it relieve the Contractor of responsibility to complete the Work.

## **9. CONTROL OF PLANT AND MATERIAL**

- 9.1 The Contractor shall not remove any Plant or Material that he has brought to the Site and which is required to complete the Work without the prior consent of the Contract Administrator until the date of Total Performance.
- 9.2 Plant or Material that is the property of the City shall not be removed from the Site, disposed of or used except for the purposes of the Work without the prior consent of the Contract Administrator.
- 9.3 The Contractor shall keep such records of all Plant and Material supplied or placed in the care, custody and control of the Contractor by the City as the Contract Administrator may from time to time require and shall satisfy the Contract Administrator, when requested, that such Plant and Material are at the place and in the condition required by the City.

## **10. RISK AND RESPONSIBILITY**

- 10.1 Plant or Material brought to the Site or the Work by the Contractor shall remain at the risk and the responsibility of the Contractor from the commencement of the Work until:
- (a) Material is incorporated into the Work; or
  - (b) Plant or Material is removed from the Site or the Work by the Contractor.
- 10.2 The Contractor shall be liable to the City for any loss of or damage to Plant or Material that is supplied to or placed in the care, custody and control of the Contractor by the City in connection with the Contract, whether or not that loss or damage is attributable to causes

beyond the Contractor's control, from the commencement of the Work until:

- (a) Material is incorporated into the Work; or
- (b) Plant or Material is returned, in its original condition, to the City.

- 10.3 The Work shall remain at the risk and the responsibility of the Contractor from the commencement of the Work until the date of Substantial Performance.
- 10.4 That portion of the Work not completed as of the date of Substantial Performance shall remain at the risk and responsibility of the Contractor until the date of Total Performance.
- 10.5 The Contractor shall, at his own cost, be required to maintain the Work, make good all damage thereto and imperfections therein and to deliver the completed Work to the City in accordance with the provisions of the Contract.

## 11. INSPECTION

### General

- 11.1 The Contractor shall provide the Contract Administrator access, whether at the Site or at the premises of the Contractor or any Subcontractor, to observe and inspect the Work and its progress.
- 11.2 The Contractor shall provide the Contract Administrator any samples required to inspect the Work.
- 11.3 The Contractor shall provide the Contract Administrator any and all assistance which he may require to observe and inspect the Work.
- 11.4 Before beginning or resuming operations upon any portion of the Work, the Contractor shall notify the Contract Administrator so as to enable him to arrange for inspection. If the Contractor fails to notify the Contract Administrator, the Contractor shall, if and when required by the Contract Administrator, forthwith take down or expose and rebuild that portion of the Work required to facilitate inspection. The cost of such taking down or exposure, and rebuilding, if any, shall be borne by the Contractor.
- 11.5 If and when required by the Contract Administrator, the Contractor shall take down or expose forthwith any portion of the Work where the Contract Administrator determines that the Work is not in accordance with the Contract. The cost of such taking down or exposure, and rebuilding, if any, shall fall upon the City if the taking down or exposure indicates that the portion exposed is properly constructed and of satisfactory Material, but if otherwise the cost shall be borne by the Contractor.
- 11.6 The inspection herein provided for shall in no way relieve the Contractor of full responsibility for the quality, proper operation and performance of the Work.

**Defective Work**

- 11.7 If the Contract Administrator determines that the Work, or any part thereof, is defective or deficient, the City shall have the right to do any one or more of the following in addition to anything permitted elsewhere in the Contract or by law:
- (a) if the Contract Administrator determines that any Plant is defective, deficient or otherwise unfit for the purpose intended, the Contract Administrator may direct the Contractor to remove such Plant from the Site and promptly replace it with Plant which meets the requirements of the Contract and is fit for the purpose intended;
  - (b) if the Contract Administrator determines that any Material which is not yet incorporated into the Work is defective, deficient or otherwise unfit for the purpose intended, the Contract Administrator may direct the Contractor to remove such Material from the Site and promptly replace it with Material which meets the requirements of the Contract and is fit for the purpose intended;
  - (c) if the Contract Administrator determines that the Work or any portion thereof, including any Material which is incorporated therein, is defective, deficient or otherwise unfit for the purpose intended, the Contract Administrator may direct the Contractor to repair, reconstruct, replace or otherwise remedy the defect or deficiency;
  - (d) if the Contract Administrator determines that it is not expedient to correct defective or deficient Work, the City may deduct from the Contract Price the difference between the value of the Work as done and that called for by the Contract, the amount of which shall be determined by the Contract Administrator.
- 11.8 The Contractor shall, without delay, carry out the directives of the Contract Administrator pursuant to GC:11.7. In addition, the Contractor shall be responsible for the cost of any additional inspections necessitated thereby.
- 11.9 The City shall be entitled, in its sole discretion, to use the Work or any portion thereof notwithstanding that it may be defective or deficient, and such use shall not constitute acceptance of any defects or deficiencies, nor shall it relieve the Contractor of responsibility to complete the Work.

**12. MEASUREMENT AND PAYMENT****General**

- 12.1 Unless otherwise specified in the Supplemental Conditions, the City shall only be required to pay the Contractor for Material required for the Work upon the installation and total incorporation of same permanently in the Work.
- 12.2 The amounts to be paid by the City to the Contractor shall be the sums certified by the Contract Administrator in the interim and final progress estimates.
- 12.2.1 For unit price Contracts, such sums shall be determined by the Contract Administrator

## ASPHALT MULTI-USE PATH INSTALLATION. CART PATH PAVING

upon the basis of the unit prices for the various classes of the Work stated on Form B: Prices. The total amount to be paid to the Contractor for the Work will be the amount arrived at by measuring the amount of each class of the Work listed on Form B: Prices and performed in accordance with the Contract, and pricing the same, in accordance with the unit prices stated thereon.

12.2.2 For lump sum Contracts, such sums shall be determined by the Contract Administrator upon the basis of the lump sum price stated on Form B: Prices.

12.2.3 Prices stated on Form B: Prices shall be deemed to include:

- (a) duty;
- (b) freight and cartage;
- (c) Provincial and Federal taxes [except the Goods and Services Tax (GST), which shall be extra where applicable] and all charges governmental or otherwise paid;
- (d) profit and all compensation which shall be due to the Contractor for the Work and all details necessarily connected with the completion of the Work and all risks and contingencies connected therewith.

**Increased or Decreased Costs**

12.3 The Contract Price shall not be increased or decreased by reason of any increase or decrease in the cost of the Work to the Contractor except as provided for herein.

12.4 The Contract Price shall be adjusted if any change in a tax imposed under the Excise Act, the Excise Tax Act, the Customs Act, the Customs Tariff, The Mining Tax Act (Manitoba), or The Retail Sales Tax Act (Manitoba):

- (a) occurs after the Submission Deadline;
- (b) applies to Material; and
- (c) affects the cost of that Material to the Contractor.

12.5 If a change referred to in GC:12.4 occurs, the Contract Price shall be increased or decreased by an amount equal to the amount that is established, by an examination of the relevant records of the Contractor, to be the increase or decrease in the cost incurred that is directly attributable to that change.

12.6 For the purpose of GC:12.4, where a tax is changed after the Submission Deadline but public notice of the change has been given by either the Federal or Provincial Minister of Finance before that date, the change shall be deemed to have occurred before the Submission Deadline and the Contractor shall not be entitled to an increase in the Contract Price.

**Measurement and Payment**

12.7 By the fourteenth (14) Calendar Day after the end of each month, or as soon thereafter as possible, the Contract Administrator shall, subject to having received all necessary information from the Contractor by the seventh (7) Calendar Day after the end of that month, prepare a progress estimate setting out the quantity and value of the Work performed during

the preceding month.

- 12.8 The Contractor shall sign each progress estimate signifying that he agrees with the Contract Administrator's estimate of the quantity and value of the Work completed.
- 12.9 Approval by the City of payment on account of a progress estimate will make the amount of the progress estimate valid for payment.
- 12.10 Any payment made by the City to the Contractor on account of a progress estimate shall be less any holdback required to be made by The Builders' Liens Act, and such holdbacks or other amounts which the City is entitled to withhold pursuant to the Contract.

### **Final Payment**

- 12.11 Approval by the City of payment on account of the final progress estimate shall be subject to the following conditions:
- (a) issuance by the Contract Administrator of a certificate of Total Performance;
  - (b) receipt by the City of a certificate from the Workers Compensation Board stating that full payment has been made to the Board with respect to all assessments owing.
- 12.12 Payment on account of the final progress estimate, including the holdback made by the City in compliance with The Builders' Liens Act, shall be paid to the Contractor when the time for filing liens or trust claims has elapsed, unless the City is in receipt of a lien or trust claim.
- 12.13 Neither the issuance of a certificate of Total Performance nor the payment of the final progress estimate shall relieve the Contractor from his responsibilities either under GC:13 or as a result of any breach of the Contract by the Contractor including, but not limited to, defective or deficient Work appearing after Total Performance, nor shall it conclude or prejudice any of the powers of the Contract Administrator or the Chief Administrative Officer hereunder.
- 12.14 Subject to GC:12.15, acceptance by the Contractor of payment on account of the final progress estimate shall constitute a waiver and release by him of all claims against the City whether for payment for Work done, damages or otherwise arising out of the Contract.
- 12.15 If the Contractor disputes a determination made by the Contract Administrator with respect to an interim or final progress estimate, the Contractor shall be paid in accordance with the Contract Administrator's determination. The Contractor may concurrently appeal the determination of the Contract Administrator to the Chief Administrative Officer as provided for in GC:21.

## **13. WARRANTY**

### **General**

- 13.1 The Contractor warrants that the Work will be free of any and all defects or deficiencies during the warranty period.

**Warranty Period**

- 13.2 Unless specifically stated otherwise in the Supplemental Conditions, the warranty period shall begin on the date of Total Performance and shall expire one (1) year thereafter unless extended pursuant to GC:13.2.1 or GC:13.2.2, in which case it shall expire when provided for under these sections.
- 13.2.1 If a defect or deficiency prevents the full and normal use or operation of the Work or any portion thereof, for purposes of calculating the warranty period, time shall be deemed to cease to elapse for the defective or deficient portion, and for any portion of the Work whose use or operation is prevented by such defect or deficiency, as of the date on which the defect or deficiency is observed or the use or operation is prevented and shall begin to run again when the defect or deficiency has been corrected or the Work may be used or operated to the satisfaction of the Contract Administrator.
- 13.2.2 If all outstanding defects or deficiencies have not been corrected to the satisfaction of the Contract Administrator by at least two (2) weeks prior to the date on which the warranty would expire except for this GC:13.2.2, then the Contract Administrator may require the Contractor to extend the warranty period for a further period of one (1) year for those defects or deficiencies in the Work identified by the Contract Administrator as still outstanding and uncorrected or for any portion of the Work whose use or operation is prevented by such defects or deficiencies.
- 13.3 Notwithstanding GC:13.2, if any law of Manitoba or of the jurisdiction in which the Work was manufactured requires, or if the manufacturer provides, a longer warranty period or a warranty which is more extensive in its nature, then the provisions of such law or manufacturer's warranty shall apply.

**Warranty Inspection**

- 13.4 Within a reasonable time before the warranty expires, the Contract Administrator shall request that the Contractor arrange, attend at and assist the Contract Administrator in carrying out an inspection of the Work.
- 13.5 Where the warranty period has been extended pursuant to GC:13.2.2, a second inspection shall be carried out in accordance with GC:13.4 before the warranty period, as extended, expires.

**Warranty Work**

- 13.6 The Contract Administrator shall notify the Contractor of observed defects or deficiencies and damage, if any, arising or resulting from such defects or deficiencies, within the warranty period.

- 13.7 The Contractor shall correct, to the satisfaction of the Contract Administrator, all defects, deficiencies and damage identified by the Contract Administrator in the manner and within the time period(s) specified in the notice.
- 13.8 If the Contractor disagrees with the Contract Administrator's determination under GC:13.6, he shall nonetheless comply with GC:13.7. The Contractor may concurrently appeal the determination of the Contract Administrator as provided for in GC:21.

**Acceptance of the Work**

- 13.9 The Contract Administrator shall certify acceptance of the Work upon:
- (a) the satisfactory performance of the Work during the warranty period;
  - (b) the Contractor having fully complied with GC:13.7; and
  - (c) the successful conclusion of any tests required under the Contract.
- 13.10 Only certification of acceptance of the Work shall constitute:
- (a) acceptance of the Work; or
  - (b) acceptance that the Work or any part thereof has been duly performed; or
  - (c) acceptance of the accuracy of any claim of the Contractor.
- 13.11 Certification of acceptance of the Work shall not, however, relieve the Contractor from his responsibilities for any breach of the Contract including, but not limited to, defective or deficient Work appearing after the date of such certification.

**14. GOVERNING LAW**

- 14.1 The Contract has been entered into in the Province of Manitoba and shall be governed by and construed and enforced in accordance with the laws of the Province of Manitoba and of Canada as applicable therein.

**15. ASSIGNMENT**

- 15.1 The Contractor shall not assign the Contract or any payments thereunder without the prior consent of the City.
- 15.2 The Contract shall inure to the benefit of and be binding on the respective heirs, executors, administrators, successors and assigns of the City and the Contractor.

**16. FORCE MAJEURE**

- 16.1 If the Contractor is delayed in the performance of the Work by reason of strikes, lock-outs (including lock-outs decreed for its members by a recognized contractors' association of which the Contractor is a member), an act of God, or any other cause which the Contractor satisfies the Contract Administrator to be totally beyond his control, the work schedule shall be adjusted by a period of time equal to the time lost due to such delays.



- 16.2 No extension for delay shall be approved unless a notice of the claim is received by the Contract Administrator from the Contractor within seven (7) Calendar Days of the date on which the cause of delay arose.
- 16.3 Any notice or claim for extension must state the cause of delay and the length of extension requested.
- 16.3.1 In the case of a continuing cause of delay, only one claim for an extension shall be necessary.

**17. INDEMNITY**

- 17.1 The Contractor shall save harmless and indemnify the City against all costs, damages or expenses arising from actions, claims, demands and proceedings, by whomsoever brought, made or taken as a result of acts or omissions of the Contractor, his Subcontractors, employees or agents in the performance or purported performance of the Work, and more particularly from:
  - (a) accidental injury to or death of any person whether retained by or in the employ of the Contractor or not, arising directly or indirectly by reason of the performance of the Work, or by reason of any trespass on or damage to property;
  - (b) damage to any property owned in whole or in part by the City, or which the City by duty or custom is obliged, directly or indirectly, in any way or to any degree, to construct, repair or maintain;
  - (c) damage to, or trespass or encroachment upon, property owned by persons other than the City;
  - (d) failure to pay and obtain a discharge of a notice of claim for lien served upon the City in accordance with the requirements of The Builders' Liens Act;
  - (e) failure to pay a workers compensation assessment, or federal or provincial taxes;
  - (f) unauthorized use of any design, device, material or process covered by letters patent, copyright, trademark or trade name in connection with the Work;
  - (g) inaccuracies in any information provided to the City by the Contractor.
- 17.2 The City has the right, acting reasonably and upon notice to the Contractor, to settle any such action, proceeding, claim or demand and charge the Contractor with the amount so paid or to be paid in effecting a settlement.
- 17.3 The Contractor shall pay to the City the value of all legal fees and disbursements required to settle any such claim or to defend the City against any such claim, action, proceeding, claim or demand notwithstanding that the settlement or defence of the said action, proceeding, claim or demand was undertaken on behalf of the City by a salaried employee of the City.
- 17.4 If the Contractor fails to make any payment required to be made to the City pursuant to GC:17.2 and GC:17.3, the City shall be entitled to deduct the amount of such payment from any payment required to be made by the City to the Contractor under the Contract or take

whatever other remedies against the Contractor that the City may have at law.

## 18. EVENTS OF DEFAULT

- 18.1 An event of default will be deemed to have occurred if the Contractor:
- (a) abandons the Work; or
  - (b) is adjudged bankrupt or files for bankruptcy, becomes insolvent, makes a general assignment for the benefit of his creditors, or has a receiver or liquidator appointed in respect of his assets; or
  - (c) is not performing or has not been performing the Work, or any part thereof, in a sound and workmanlike manner and in all respects in strict conformity with the Contract; or
  - (d) is not progressing continuously with the Work or any part thereof, and in such a manner as to ensure the completion of the Work or any part thereof, in accordance with the work schedule; or
  - (e) fails to take down, rebuild, repair, alter or amend any defective or deficient Work, or to remove any defective or deficient Material; or
  - (f) fails to remedy defects or deficiencies during the warranty period in the manner and within the time periods specified by the Contract Administrator; or
  - (g) fails to make prompt payment to his Subcontractors, his employees or on account of the purchase or rental of Plant or Material; or
  - (h) fails to promptly secure a discharge of a lien or trust claim served upon the City pursuant to The Builders' Liens Act; or
  - (i) fails to comply with any laws, by-laws or statutory regulations; or
  - (j) fails to provide competent supervision at the Site; or
  - (k) fails to submit any schedules, documents or information required by the Contract; or
  - (l) refuses or neglects to comply with an order given by the Contract Administrator; or
  - (m) commits any other breach of the Contract.
- 18.2 Any provision of the Contract may be waived only by express waiver in writing by the Contract Administrator. No express waiver of any provision shall imply the waiver of any other provision.

## 19. CITY'S RIGHTS AND REMEDIES

### General

- 19.1 If an event of default has occurred, the City may do any one or more of the following:
- (a) withhold or retain the whole or part of any payment;
  - (b) take the whole of the Work, or any part or parts thereof out of the hands of the Contractor;
  - (c) demand payment for any amount owed to the City;

all as more particularly set forth in GC:19.3 to GC:19.16 below.

- 19.2 The duties and obligations imposed upon the Contractor by the Contract and the rights and remedies available to the City hereunder shall be in addition to and not a limitation of any duties, obligations, rights and remedies otherwise imposed upon the Contractor or available to the City at law.

#### **Withholding of Payment**

- 19.3 If an event of default has occurred, the City may withhold or retain the whole or part of any payment to the Contractor.
- 19.4 The City may apply the amount withheld or retained to:
- (a) pay any person to whom the Contractor is indebted in respect of Material, labour or services furnished for the Work;
  - (b) secure the discharge of a lien or trust claim served upon the City pursuant to The Builders' Liens Act;
  - (c) indemnify, compensate or reimburse the City for amounts paid or costs incurred by the City in connection with the event of default.
- 19.5 Payment of such amounts shall discharge the City's liability to the Contractor to the same extent as payment directly to him.
- 19.6 Upon remedy of the event of default, any amount remaining from the amount withheld will be released to the Contractor.

#### **Taking the Work out of the Contractor's Control**

- 19.7 If an event of default has occurred, the City may, without process or action at law, upon giving the Contractor notice, take the whole of the Work, or any part or parts thereof out of the hands of the Contractor.
- 19.8 Upon such notice being given to the Contractor, he shall immediately discontinue the Work or any part or parts thereof specified in the said notice.
- 19.9 The taking of the Work or any part thereof out of the Contractor's control pursuant to GC:19.7 shall not relieve or discharge the Contractor from any obligation under the Contract or imposed upon him by law except the obligation to complete the performance of that part of the Work that was taken out of the Contractor's control.
- 19.10 If the Work or any part thereof is taken out of the Contractor's control pursuant to GC:19.7, all Plant and Material, and the interest of the Contractor in all licences, powers and privileges acquired, used or provided by the Contractor under the Contract shall be assigned by the Contractor to the City without compensation to the Contractor.
- 19.11 The City shall have the right, subject to GC:20, to complete, by contract or with its own forces, the Work taken out of the Contractor's control, and the Contractor agrees that the City shall have the right to take possession of and use any of the Contractor's material and

property of every kind provided by the Contractor for the purpose of the Work, and to procure other Plant or Material for the completion thereof. The City shall not be required to obtain the lowest price to complete the Work taken out of the Contractor's control.

- 19.12 When the Contract Administrator certifies that any Plant, Material or any interest of the Contractor referred to in GC:19.10, is no longer required for the purposes of the Work, or that it is not in the best interest of the City to retain that Plant, Material or interest, it shall revert to the Contractor.
- 19.13 If the cost to the City of completing the Work or portion thereof as aforesaid is less than the amount to which the Contractor would have been entitled under the Contract for so doing, the Contractor shall have no claims in respect thereof against the City. If the cost of the Work performed by the City is more than the amount to which the Contractor would have been entitled under the Contract for the same Work, the City shall have a claim against the Contractor for such excess costs.
- 19.14 When any portion of the Work is being carried on by the City, by contract or otherwise, the Contractor shall continue to perform the remainder of the Work in accordance with the Contract, and in such manner as in no way to hinder or interfere with the persons performing the portion of the Work being carried on by the City.

**Demand for Payment**

- 19.15 If an event of default has occurred, the City may demand payment from the Contractor for amounts paid or costs incurred by the City in connection with the event of default.
- 19.16 The Contractor shall, within seven (7) Calendar Days of receipt of a notice from the City, pay the City the amount set out in the notice.

**20. SURETY'S OPTION TO ASSUME THE CONTRACT**

- 20.1 Where the City has given notice to the Contractor that the Work or part thereof has been taken out of the Contractor's control, the City shall promptly provide the Surety with a copy of such notice.
- 20.2 The Surety may, at its option, assume the Contract in respect of the Work specified in the notice and proceed to perform same.
- 20.3 Within fourteen (14) Calendar Days after the date on which the Surety is provided with a copy of the notice given to the Contractor, the Surety shall advise the City whether it intends to exercise such option. The said option shall expire if the Surety fails to so advise the City within the time specified.
- 20.4 If the Surety has exercised its option in accordance with the foregoing, it shall take the Contractor's place in all respects. The Surety shall be bound by all terms and conditions of the Contract and shall be paid in accordance with the terms of the Contract for all Work performed by it.

- 20.5 The Surety may, with the consent of the Chief Administrative Officer, subcontract the Work so taken over or any portion thereof.

## 21. CONTRACTOR'S RIGHT TO APPEAL

- 21.1 If the Contractor disagrees with a determination or order of the Contract Administrator he may, within seven (7) Calendar Days after receiving notice of the Contract Administrator's determination or order, notify the Chief Administrative Officer of his contention with respect thereto and request a determination thereon from the Chief Administrative Officer.
- 21.2 If the Contractor disagrees with the Chief Administrative Officer's determination he may request that the dispute be referred to arbitration in accordance with GC:22, by providing notice to the Chief Administrative Officer within seven (7) Calendar Days after receiving notice of the Chief Administrative Officer's determination.
- 21.3 If the Contractor neglects or fails to observe fully and faithfully the above conditions, he shall be deemed to have accepted the Contract Administrator's determination and to have waived any said claim, at law or otherwise.

## 22. ARBITRATION

### Requests for Arbitration

- 22.1 If, at any time before the termination of the warranty period, any dispute, difference or question shall arise between the City and the Contractor regarding the Work, then every such dispute, difference or question may, with the consent of both the City Solicitor, on behalf of the City, and the Contractor, be referred to arbitration. Notwithstanding that the parties may have consented to arbitration, no arbitration shall proceed before the date of Substantial Performance.
- 22.2 The party desiring arbitration (the "Requesting Party") shall request the consent of the other party (the "Other Party") to refer a particular dispute, difference or question to arbitration.
- 22.3 The Other Party shall reply to the request within seven (7) Calendar Days of receiving same.

### Referral to a Single Arbitrator

- 22.4 If the Other Party has consented to arbitration, the Requesting Party shall nominate an arbitrator (the "Requesting Party's Nominee") within seven (7) Calendar Days of receiving the reply. The Other Party shall have seven (7) Calendar Days after receiving notice of the nomination to accept or reject the Requesting Party's Nominee.
- 22.5 If the Other Party accepts the Requesting Party's Nominee, the dispute, difference or

question shall be promptly referred to him or her.

### **Referral to a Panel of Arbitrators**

- 22.6 If the Other Party rejects the Requesting Party's Nominee, it shall, within seven (7) Calendar Days of rejection, appoint its own arbitrator.
- 22.7 The Requesting Party shall, within seven (7) Calendar Days of receiving the Other Party's rejection, appoint its own arbitrator.
- 22.8 The arbitrators appointed under GC:22.6 and GC:22.7 shall, within seven (7) Calendar Days of the date on which the last of them was appointed, appoint a third arbitrator (the "Panel Chair") who will act as chair of the arbitration panel.

### **General**

- 22.9 The Arbitration Act (Manitoba) or any successor legislation thereto shall apply to the arbitration in all respects except as expressly otherwise provided in these General Conditions.
- 22.10 The single arbitrator or the Panel Chair, as the case may be, shall determine the procedure to be followed in the arbitration, which shall be consistent with The Arbitration Act (Manitoba) or any successor legislation thereto.
- 22.11 Where the matter proceeds with a single arbitrator, each party shall be responsible for its own legal expenses, expenses to produce expert evidence or other expenses voluntarily incurred, and for an equal share of the fees and expenses of the single arbitrator and of any other expenses related to the arbitration.
- 22.12 Where the matter proceeds with an arbitration panel, each party shall be responsible for its own legal expenses, expenses to produce expert evidence or other expenses voluntarily incurred, for the fees and expenses of the arbitrator appointed by it, and for an equal share of the fees and expenses of the Panel Chair and of any other expenses related to the arbitration.

### **23. NOTICES**

- 23.1 All notices, requests, nominations, proposals, consents, approvals, statements, authorizations, documents or other communications required or permitted to be given under the Contract shall be in writing and shall be delivered by hand, by facsimile transmission (fax) or by mail.
- 23.2 All notices, requests, nominations, proposals, consents, approvals, statements, authorizations, documents or other communications shall be delivered to the applicable addresses set out in the ` Conditions.
- 23.2.1 Either party may, by giving notice, designate another address or addresses at which

## ASPHALT MULTI-USE PATH INSTALLATION. CART PATH PAVING

it will accept delivery of notices, requests, nominations, proposals, consents, approvals, statements, authorizations, documents or other communications.

23.2.2 Delivery to the Contractor's designated supervisor at the Site shall constitute delivery to the Contractor.

23.3 Any notices, requests, nominations, proposals, consents, approvals, statements, authorizations, documents or other communications given as provided herein shall:

- (a) if delivered by hand, be deemed to have been received on the day of receipt;
- (b) if delivered by facsimile transmission, be deemed to have been received on the day of transmission, if a Business Day, or if not a Business Day, on the Business Day next following the day of transmission; and
- (c) if delivered by mail, be deemed to have been received on the second Business Day on which mail is delivered by Canada Post following the date of mailing.

END OF SECTION

---

ASPHALT MULTI-USE PATH INSTALLATION. CART PATH PAVING  
CONTRACT 5-2025  
SECTION 6. SUPPLEMENTARY CONDITIONS

---

1. GENERAL.....	2
2. GC 7 .....	2



**1. GENERAL**

The City of Morden General Conditions for Construction Contracts, amended and supplemented as set forth herein after, governs the Work.

**2. GC 7 is supplemented as below:**

- 2.1 The City reserves the right to delete portions of the tendered work, prior to contract award, if the project costs exceed the budgeted amount without any adjustment for loss of profit on account of diminished value of the contract.

END OF SECTION

---

ASPHALT MULTI-USE PATH INSTALLATION. CART PATH PAVING  
CONTRACT 5-2025  
SECTION 7 - SPECIFICATIONS

---

1. CONSTRUCTION SPECIFICATIONS.....	2
2. SHOP DRAWINGS .....	2
3. UNIT PRICE CLARIFICATIONS .....	2
4. BID FORM CLARIFICATIONS.....	2
5. ASPHALT PAVEMENT.....	2
6. DUST AND NOISE.....	3
7. CLEARING OF SITE .....	3
8. EXISTING TREES, SHRUBBERY.....	3
9. OPERATING VALVES ON WATERMAIN .....	3
10. SURFACE RESTORATIONS .....	3
11. TEMPORARY UTILITIES .....	4
12. WATER USED BY CONTRACTOR .....	4
13. PROTECTION OF SURVEY BARS .....	4
14. FINAL CLEAN-UP .....	4

## 1. CONSTRUCTION SPECIFICATIONS

The Construction Specifications applicable to this project (unless specified otherwise in Bid Documents) are:

- A. City of Morden – Municipal Servicing Standards\_Rev 2 – September 2024 – 70 Pages (<https://morden.ca/planning-engineering-services>).
- B. The Manitoba Infrastructure (Highways) Standard Construction Specifications, latest edition.
- C. City of Morden – Landscaping Specifications (<https://morden.ca/by-laws-policies>).

## 2. SHOP DRAWINGS

- 2.1. Shop Drawings for all materials to be used on the Works must be submitted by Contractor for approval by Engineer prior to ordering.

## 3. UNIT PRICE CLARIFICATIONS

- 3.1 The unit prices for all items in the bid form must include the costs for any associated work/material/equipment to perform those unit items of work.
- 3.2 The Engineer will not approve payment until all materials and performance testing has been received and approved. Any rejected or reworked sections must be completed to the Engineer's satisfaction and at the Contractor's expense.
- 3.3 If there is a disagreement between the Contractor's and the Engineer's measurements of the works, the Engineer's measurements will be taken to be correct.

## 4. BID FORM CLARIFICATIONS

ITEM 1. Contactor is responsible for disposal of all excavated material.

ITEM 2 and ITEM 8. Base preparation includes grading and packing of existing gravel base to 0.08m below finished grade.

## 5. ASPHALT PAVEMENT

- 5.1 For all asphalt works use Class 'B' MIT Specification 920 for Bituminous Pavement or Type 1A CW Specification 3410, and submit mix design/specification for the mix you intend to use;
- 5.2 Asphalt pavement works shall meet the specifications of MIT #800, Specifications for bituminous pavement and recycled bituminous pavement;
- 5.3 All asphalt works will be paid by weight in tonnes of pavement placed (submit weight tickets to the Engineer).
- 5.4 Where contractor changes width or thickness without written approval from the Engineer, the City will not pay for the additional asphalt placed.
- 5.5 Testing to confirm thickness and installation performance as well as complete Marshall analysis will be at the City's discretion and cost, except that any additional testing for failed installation performance will be at the Contractor's expense until the works are confirmed

to meet the specifications. The Contractor must accommodate all requests for the City to sample and test as necessary.

## **6. DUST AND NOISE**

6.1 The Contractor shall take such steps as may be required to prevent dust nuisance resulting from his operations whether within the right-of-way or elsewhere or by public traffic where it is the Contractor's responsibility to maintain a roadway throughout the work.

6.2 The Contractor shall always reduce noise to as great an extent as possible. Air compressing plants shall be equipped with silencers and the exhausts of all gasoline motors or other power equipment shall be provided with mufflers.

## **7. CLEARING OF SITE**

The Contractor, at their own expense, shall be required to do all clearing of bush, leveling snow, etc., for the proper execution of the work under this Contract. All refuse, bush, etc., shall be disposed of in a manner satisfactory to the City. The Contractor shall make themselves fully aware of the conditions in the work area prior to submitting their Bid and no payment will be made for any work required as per this Item.

## **8. EXISTING TREES, SHRUBBERY**

No trees whatsoever shall be cut down without the written permission of the City. Trees, shrubbery, fences, poles and all other private property and surface structures shall be protected unless their removal is shown on the drawings or authorized by the City. When it is necessary to cut roots and tree branches, such cutting shall be done under the supervision and direction of the City. Any damage to trees as a result of Contractor negligence will be remedied by the City at the expense of the Contractor.

## **9. OPERATING VALVES ON WATERMAIN**

Upon receipt of adequate notice, City work forces shall turn existing watermains off and on as required for the Contractor, at no cost to the Contractor. At no time shall the Contractor operate the valves on the existing watermain system or new valves tied into the existing system.

## **10. SURFACE RESTORATIONS**

10.1 Unless otherwise specified, the Contractor shall be responsible for all surface restoration equal to or better than the original condition.

10.2 The Contractor shall make themselves fully aware of the conditions in the work area prior to submitting their Bid and no payment will be made for any work required as per this item.

10.3 Arrangements shall be made by the Contractor with the Authority concerned regarding restoration of surfaces, where such surface restoration is not specifically detailed herein. The Contractor shall bear the full expense involved in replacing the surfaces to the satisfaction of the Authority having jurisdiction.

10.4 Any ditches that may be disturbed shall be graded and restored upon completion. Ditch grades shall be as determined by the City or by the Authority having jurisdiction over the roadway, and in general, will be as shown on the drawings. The Contractor will also be responsible to maintain the drainage of the existing ditches during the construction period.

Surface restoration and clean-up shall be done block by block immediately behind the installation crews.

**11. TEMPORARY UTILITIES**

The Contractor will be required to make their own arrangements in connection with the temporary use of lighting, power, gas, sewer, water or other utilities, and pay all costs in connection therewith. All necessary permits, fees, etc., as well as the cost of temporary connections to existing facilities shall be arranged for and paid for by the Contractor.

**12. WATER USED BY CONTRACTOR**

Water for use by the Contractor, shall be obtained from the City at the prevailing rates. The Contractor shall arrange with the City as to the hydrants available for their use. Other sources of water may be used only after special written permission has been received from the City. The City may meter used water for accounting or billing purposes.

**13. PROTECTION OF SURVEY BARS**

13.1 The Contractor shall not disturb, deface, alter, destroy or remove any survey post, monument or bar and if the same shall occur, then, and in every such case, the City shall have such post, monument or bar replaced at the expense of the Contractor. The Contractor shall pay all costs and expenses incurred in connection therewith.

13.2 If the Contractor is in doubt about the location of the bars in the field, they will contact the City before doing any work in the area. Other survey posts, monuments, or bars may exist and the Contractor shall exercise care at intersections and other places where such survey posts, monuments or bars may exist.

13.3 Where a survey bar lies in the line of the proposed work and must be disturbed, the Contractor shall provide the City with 72 hours notice to have the survey bar referenced and relocated. The survey bar shall be referenced and replaced at no cost to the Contractor.

**14. FINAL CLEAN-UP**

At the completion of the construction work, all areas on which work has been done shall be left in a neat and presentable condition. All drainage ditches which have been blocked as a result of the work shall be restored to their original condition or better. The Contractor, at their own expense, shall be responsible for off-site disposal of all surplus excavated material, trees, debris, brush, rock, boulders and asphaltic cement concrete.

END OF SECTION

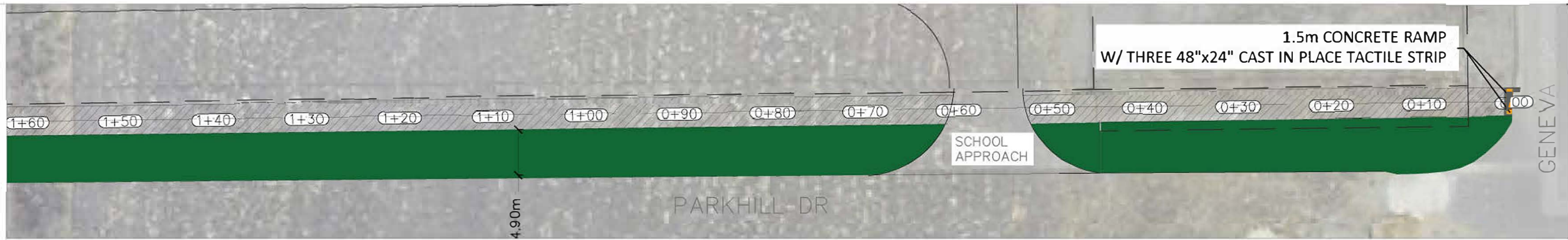
---



**City of Morden**  
Planning and Engineering

100 195 Stephen St. Tel: (204) 822-4434  
Morden, MB Fax: (204) 822-6494  
R6M 1V3

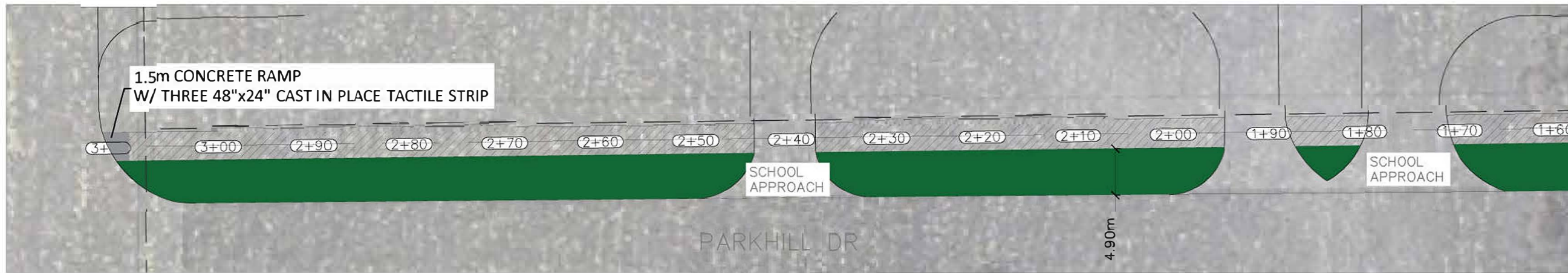
MATCH LINE



PARKHILL DR SIDEWALK STA 0+00 TO 1+60  
SCALE: NTS

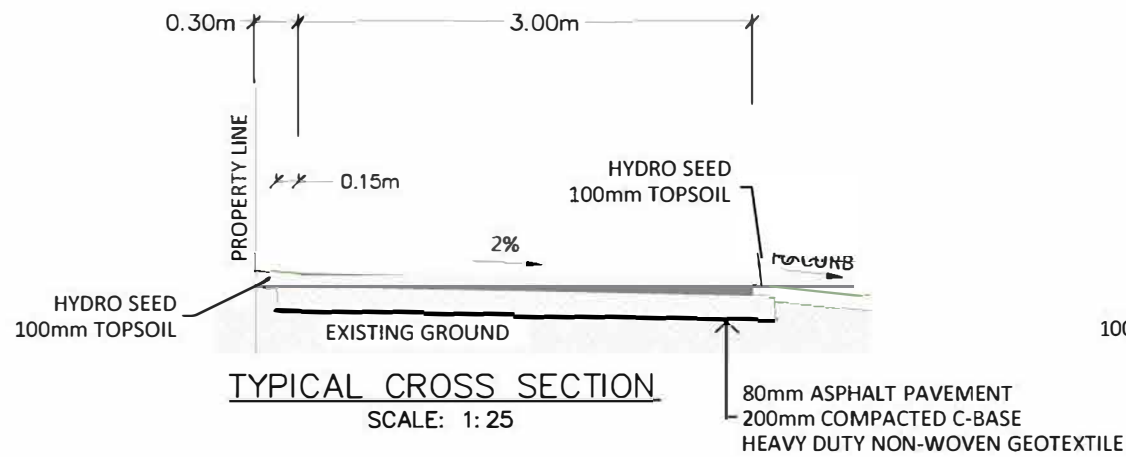
GENEVA

ASPHALT MULTI USE PATH

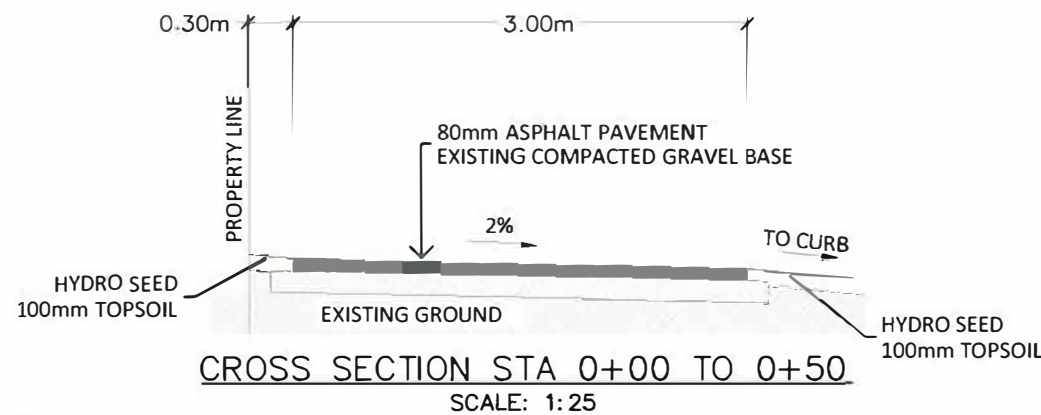


PARKHILL DR SIDEWALK STA 1+60 TO 3+12  
SCALE: NTS

MATCH LINE



TYPICAL CROSS SECTION  
SCALE: 1: 25



CROSS SECTION STA 0+00 TO 0+50  
SCALE: 1: 25



KEY PLAN  
SCALE: NTS

PLAN, CROSS SECTIONS.

Date: JANUARY 2025

Drawing Scale

AS SHOWN

Project Code

Sheet Reference

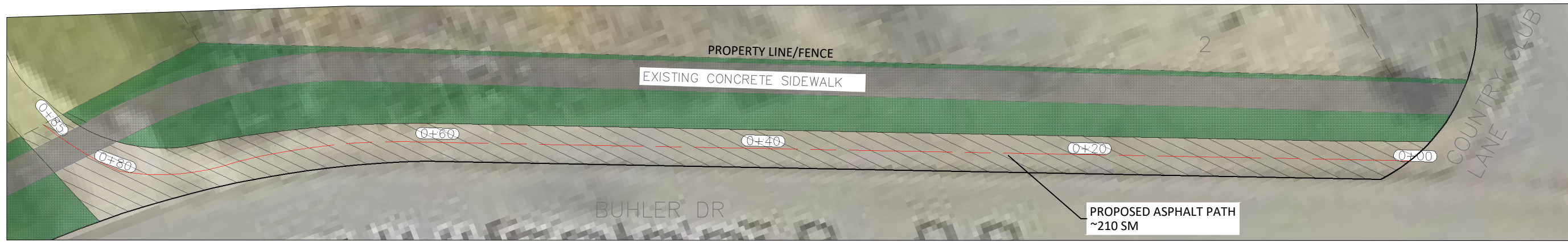
01

R-A

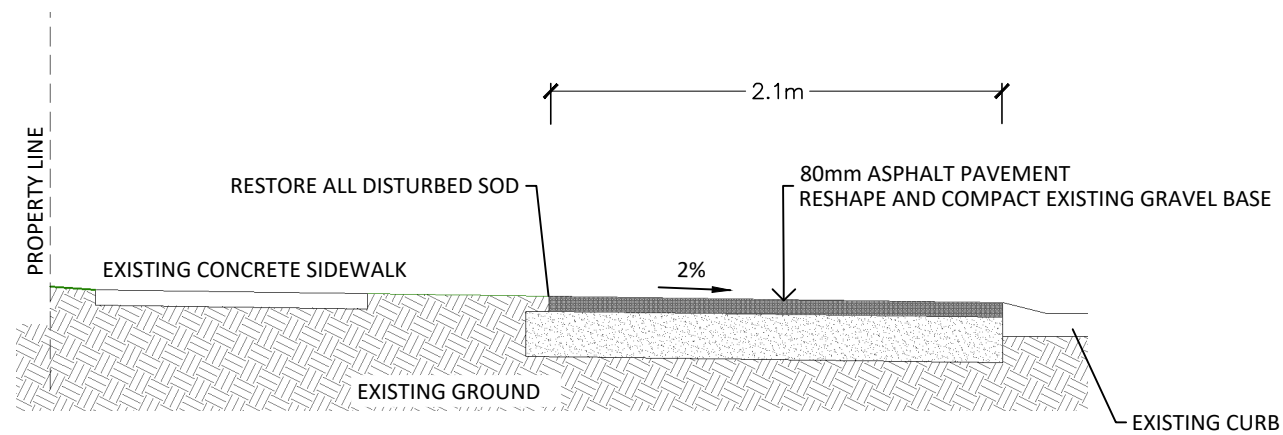


**City of Morden**  
Planning and Engineering

100-195 Stephen St. Tel: (204) 822-4434  
Morden, MB Fax: (204) 822-6494  
R6M 1V3



**CART PATH PLAN**  
SCALE: NTS



**TYPICAL CROSS SECTION**  
SCALE: 1:50



**KEY PLAN**  
SCALE: NTS

- NOTES: 1. Haul all clean gravel to Public Works yard.  
 2. Protect existing concrete curb and gutter for the duration of the construction period. Any damaged curb to be replaced at contractor's expense.  
 3. All disturbed sod must be restored with topsoil and hydro seed immediately following the completion of the works.

ASPHALT CART PATH

PLAN. CROSS SECTION.

Date: JANUARY 2025

Drawing Scale

**AS SHOWN**

Project Code

Sheet Reference

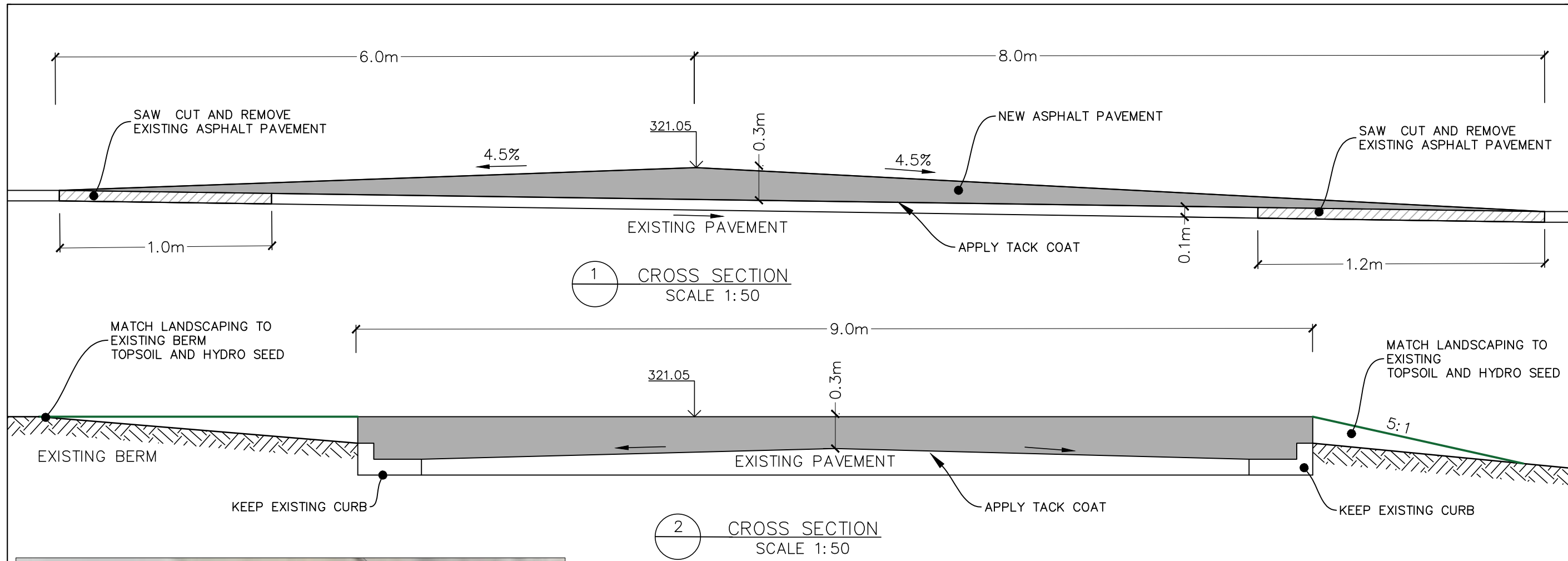
**01**

R-A

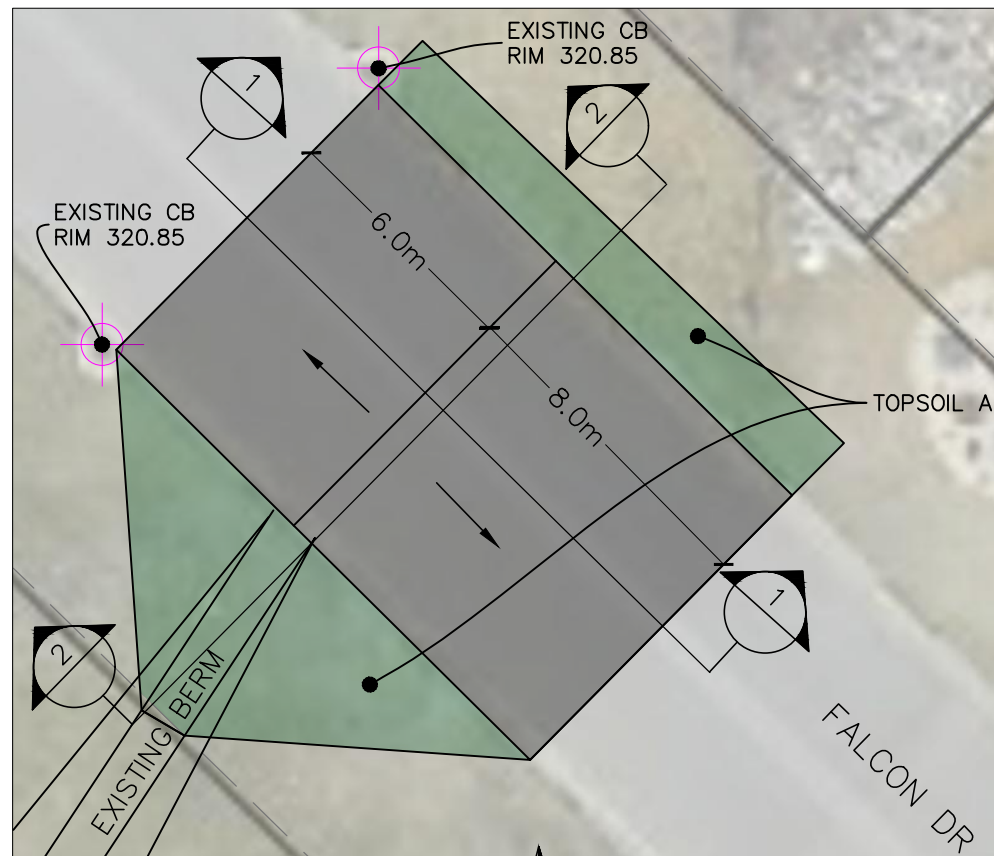
Z:\City Projects\Projects\2025\Cert Path\CART\_PATH.dwg



FALCON DR BERM



NOTE: 1. Contractor is responsible for the disposal of waste asphalt.  
2. Asphalt pavement must be placed and compacted in 0.08m lifts.



PLAN  
SCALE NTS



KEY PLAN  
SCALE NTS

PLAN. CROSS SECTIONS

Date: JANUARY 2025

Drawing Scale

AS SHOWN

Project Code

Sheet Reference

01

R-A